

E N G L I S H

x1REASY

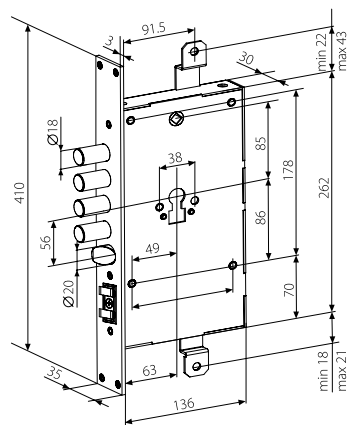
ELECTRONIC LOCK FOR
ARMOURED DOORS



ISEO[®]
iseo.com



x1R EASY

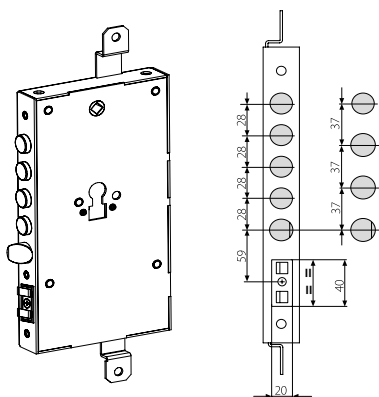


MECHANICS AND ELECTRONICS PERFECTLY COMBINED

x1R Easy is an electronic motorized lock specifically developed to be installed on armoured doors. The opening and closing functions are controlled by a motor and an electronic card with a state-of-the-art microprocessor. Even in the event of a power failure, the door can still be opened using the mechanical key which, thanks to a security system, can disconnect the motor during the activation of the mechanical cylinder.

MAIN FEATURES

- AUTOMATIC OPENING AND CLOSING
- INTERCHANGEABLE WITH THE MOST COMMON MECHANICAL LOCKS FOR ARMoured DOORS
- REVERSIBLE HAND
- CERTIFIED FOR MAXIMUM SECURITY
- BACKLIT KEYPAD
- POWER SUPPLY AND ENERGY MANAGEMENT
- OPENING ALSO WITH MECHANICAL KEY
- IT CAN BE INTEGRATED WITH DOMOTIC SYSTEMS
- REMOTE OPENING COMMAND
- 5 PROGRAMMABLE FUNCTION MODES



CERTIFIED FOR MAXIMUM SECURITY

x1R Easy is certified according to EN 14846:2008 with classification 3X9E0P713. Thanks to its structure, the lock is classified at the maximum level (7) for the anti-intrusion protection (EN12209).

ACCESS CREDENTIALS TO OPEN THE DOOR

x1R Easy can be opened with several electronic credentials, such as pin codes, cards and transponder. Up to 128 user credentials can be saved for the lock. However, in case of need, there will always be the possibility to open the door with the mechanical key.

PIN CODES

x1R Easy can be also equipped with a RFID reader which includes a keypad that allows to add PIN codes (from 4 to 8 digits) as credentials to open the door.

The new rectangular design conceived for the keypad, further simplifies the user experience of using pin codes.



SQUARE PROGRAMMING BOARD

The revised programming board unit features larger buttons and a new design in line with the rectangular keypad style.

This unit is installed on the internal side of the door and allows the user to:

- rapidly unlock and lock the door from the inner side using the two opening and closing buttons;
- manage the access rights of the lock;
- programme the operating mode of the lock, with a choice of 5 modes available.

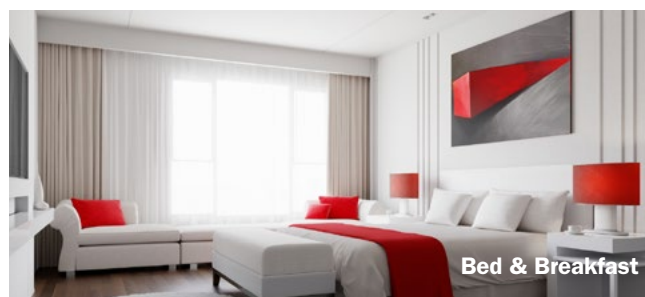
The unit provides also acoustic signals and warning lights with the aim to facilitate the use and programming by the user.



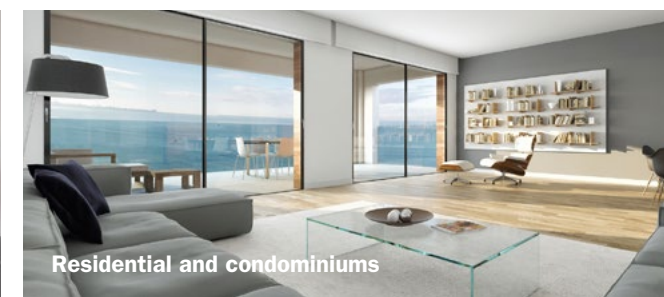
Banks



Shops



Bed & Breakfast



Residential and condominiums

x1R EASY



RFID CREDENTIALS

x1R Easy includes an RFID reader which works with 125 KHz technology. The lock can be opened with the following devices:



xKey Transponder



xCard User



Keychain Transponder xKey

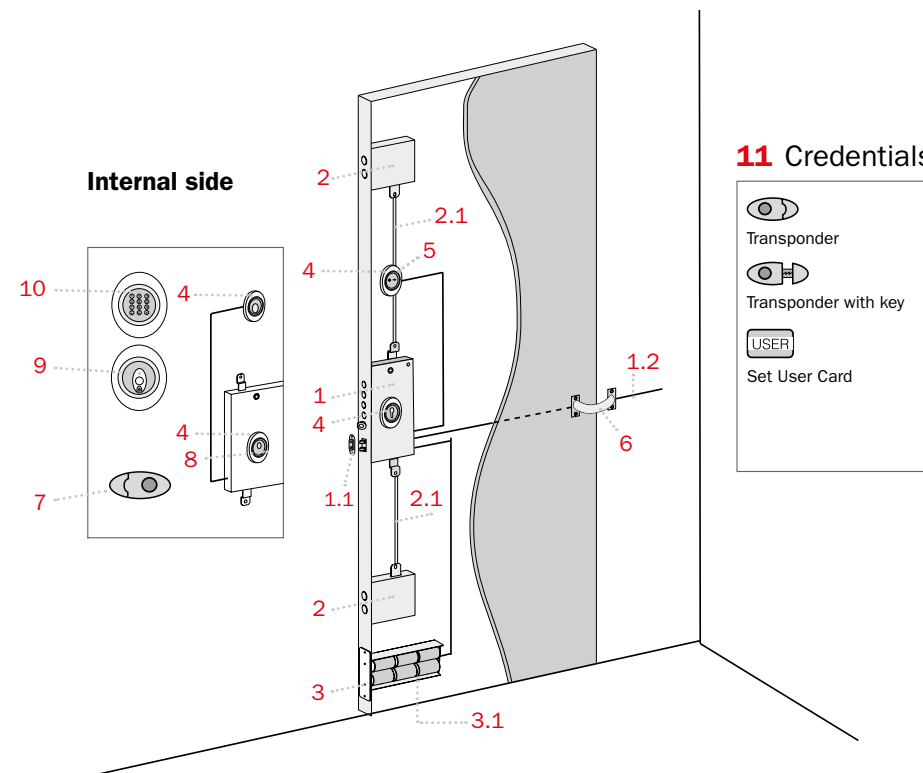


Remote control



INSTALLATION SCHEMES

OPERATING WITH ALKALINE BATTERIES

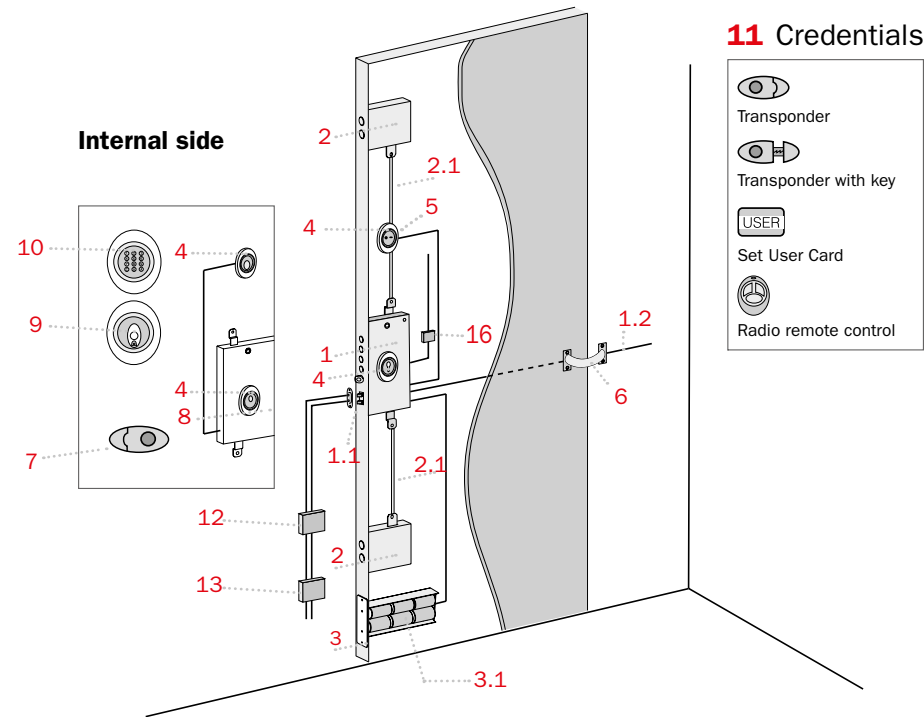


- 1. Mortise and rim lock
 - 1.1 Door sensor (supplied with the lock)
 - 1.2 Cable for remote opening command (supplied with the lock)
- 2. Deviator
 - 2.1 Connecting rod
- 3. Battery holder with power cable
 - 3.1 Rechargeable batteries set
- 4. Escutcheon (please specify the finish)

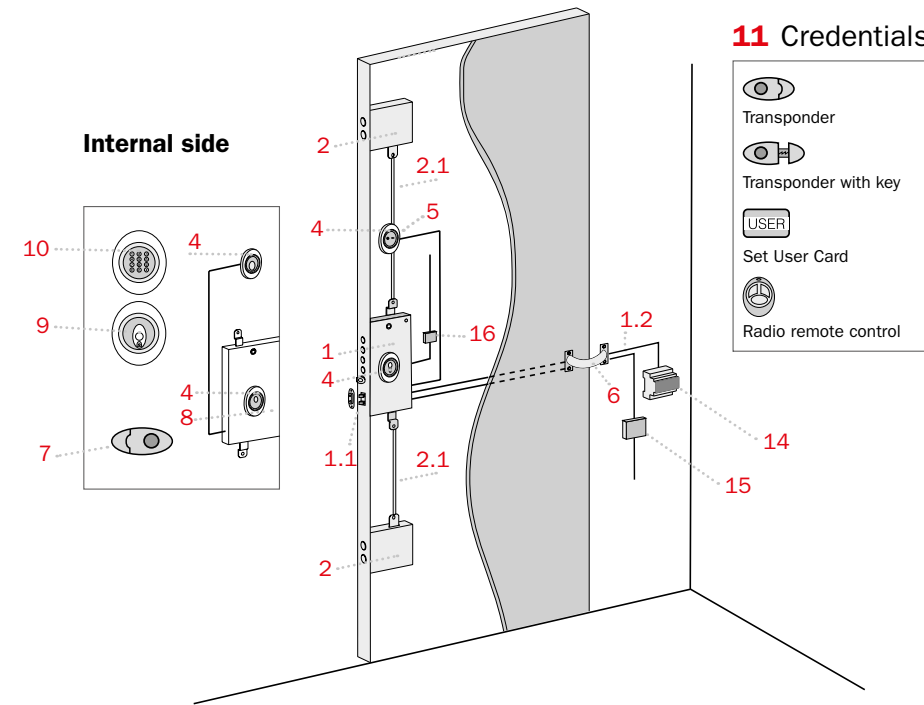
- 5. Internal opening pushbuttons and programming logic
- 6. Concealed lead cover
- 7. xKey (please specify number and type)
- 8. Cylinder protection Ø 46 H 26 mm
- 9. Transponder reader
- 10. Keypad with TAG reader
- 11. Credentials

INSTALLATION SCHEMES

OPERATING WITH RECHARGEABLE BATTERIES



OPERATING WITH DIRECT POWER SUPPLY



- | | | |
|---|---|---------------------------------------|
| 1. Mortise and rim lock | 4. Escutcheon (please specify the finish) | 10. Keypad with TAG reader |
| 1.1 Door sensor (supplied with the lock) | 5. Internal opening pushbuttons and programming logic | 11. Credentials |
| 1.2 Cable for remote opening command (supplied with the lock) | 6. Concealed lead cover | 12. Battery charger |
| 2. Deviator | 7. xKey (please specify number and type) | 13. Transformer |
| 2.1 Connecting rod | 8. Cylinder protection Ø 46 H 26 mm | 14. I/O electronic board |
| 3. Battery holder with power cable | 9. Transponder reader | 15. Power unit |
| 3.1 Rechargeable batteries set | | 16. Receiver for radio remote control |

RANGE AND MAIN ACCESSORIES

	Number	Protrusion	Centre distance	
	4 deadbolts	3	28	Lock, cylinder mount, door contact and cable for remote button
	4 deadbolts	13	28	
	3 deadbolts	3	37	
	3 deadbolts	13	37	
	4 deadbolts		28	Lock, cylinder mount, door contact and cable for remote button
	3 deadbolts		37	
	Battery holder			Batteries to be ordered separately
	Internal opening pushbuttons and programming board			Oval escutcheon plate, to be ordered separately
	Transponder reader (TAG)			Oval escutcheon plate, to be ordered separately
	Keypad with integrated TAG reader			Oval escutcheon plate, to be ordered separately
	Oval escutcheon plate			Bronze plated Polished chrome Satin chrome Polished brass varnished
	Rectangular escutcheon plate with oval hole			Bronze plated Polished chrome Satin chrome Polished brass varnished
	Rectangular keypad with integrated TAG reader			Rectangular escutcheon plate, to be ordered separately
	Rectangular cover for keypad			Polished black Satin chrome Polished brass Bronze
	Square internal opening pushbuttons and programming board			Square escutcheon plate, to be ordered separately
	Square internal opening pushbuttons and programming board			Polished black Satin chrome Polished brass Bronze
	Radio remote control			Radio remote control unit for receiver
	Set of batteries			Alkaline Rechargeable
	xKey transponder			Red Grey Blue (cylinder and key to be ordered separately)
	xCard			User 125 Khz
	Keychain transponders xKey - Brown			125 Khz - Suitable for x1R Easy
	Keychain transponders xKey - Grey			125 Khz - Suitable for x1R Easy

For the product codes refer to the ISEO catalogue, chapter 4 Locks for armoured doors, available at iseo.com.



Iseo Serrature s.p.a.
Via San Girolamo, 13
25055 Pisogne BS, Italy
Tel. +39 0364 8821
iseo@iseo.com

iseo.com

ISEO Serrature Spa is constantly improving its security solutions, so the information contained in the marketing materials are subjected to change without notice and does not represent any commitment on the part of ISEO Serrature Spa. ISEO Serrature Spa assumes no responsibility or liability for any errors or inaccuracies that may appear in this documentation.