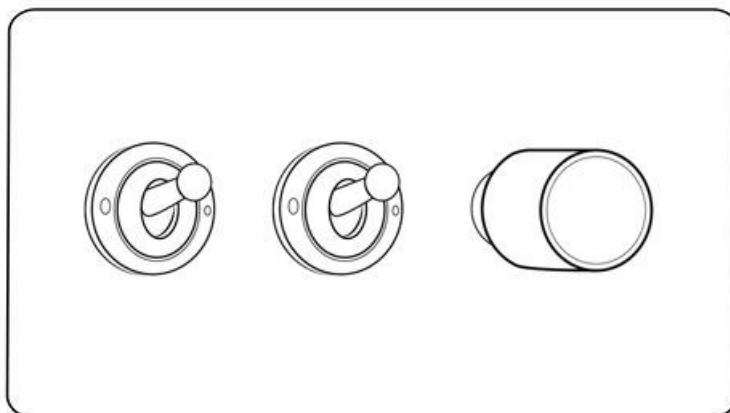


Heritage Brass

Studio Range - Polished Nickel (Project Finish) 3G Mixed Toggle Dimmer Switch 2xToggle 1xTED - Y08-2TOG-1TED



Range	Studio Range
Product	Studio Range Polished Nickel Switches & Sockets, Y08
Insert Type	3G Mixed Toggle Dimmer Switch 2xToggle 1xTED
Plate Finish	Polished Nickel (Project Finish)
Switch Colour	Polished Nickel
Body and Switch Trim	Polished Nickel
Height	88 mm
Width	148 mm
Fixing Hole Centres	Box Fixing = 120.6 mm
Minimum Box Depth	35
Current	Switch rated 20 Amp
Voltage	230 V
Power	Max 120 W and 10 bulbs per dimmer module trailing edge
Terminal Capacity	4 mm ²
Earth Terminal Capacity	5 mm ²
Product Class 1	Face plate must be earthed
Ambient Operating Temperature	-5Â°C - 40Â°C
Recommended Location	Indoor use only
Standard	BS EN 55014, BS EN 60669-2-1

All products listed conform to current British or European standards and the product information is correct at the time of going to press.	All accessories are manufactured under an accredited BS EN 9001:2008 Quality System.	It is the policy of the company to continually improve products as part of our development program. Therefore, we respect the right to alter designs and dimensions without prior notice.
Illustrations and diagrams are produced within the limitations of reproductions and printing processes are not binding.	Due to manufacturing process we cannot guarantee an exact colour match and shadings of certain finishes.	Correct as 03.06.2026. E&OE



British Standards
The Heritage Brass Electrical Collection is designed and manufactured to comply with the requirements of the relevant British Standards.



M. Marcus Ltd.
Telephone: +44 (0)1384247845
Fax: 01384 243 312
Email: electsales@m-marcus.com
Website: www.m-marcus.com