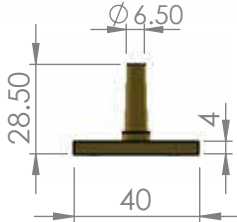
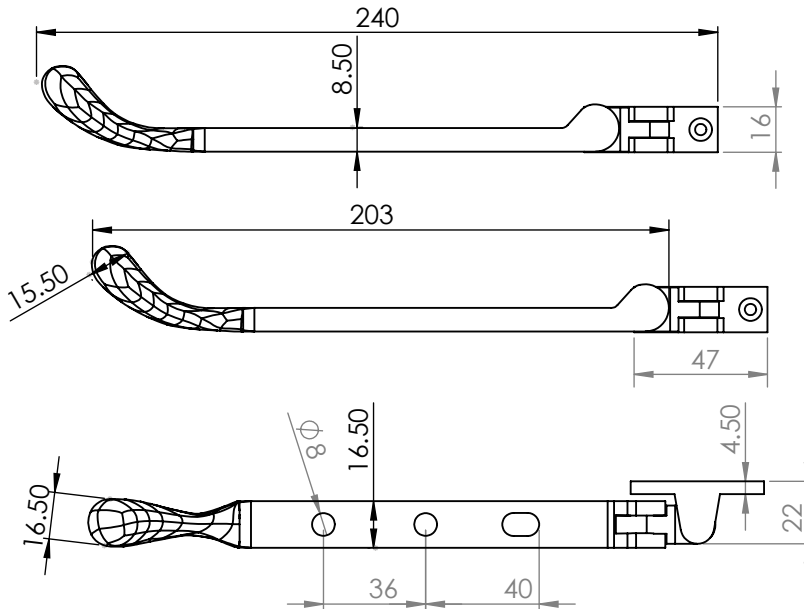


V992 8" BALL CASEMENT STAY



2



1

2 Dimensions: see the outlines given above



FINISHES

- ME** Matt Bronze finish
 - SB** Satin Brass finish
 - PN** Polished Nickel finish
 - SN** Satin Nickel finish
 - AT** Antique Brass finish
 - SC** Satin Chrome finish
 - PE** Polished Brass finish
 - PC** Polished Chrome finish
 - BK** Matt Black finish
- Available in unacquered Brass (ULB)*

Overview	1 Ball Casement Stay illustrated	2 General Dimensions of Ball Casement Stay	3 Supplied with: 6x 25mm brass screws 1x Steel pilot screw
----------	----------------------------------	--	--

M Marcus Ltd., Dudley

Product Code	Material	Sizes shown are in mm and approximate. We reserve the right to amend where necessary and without any prior notice.
V992 8"	Solid Brass	