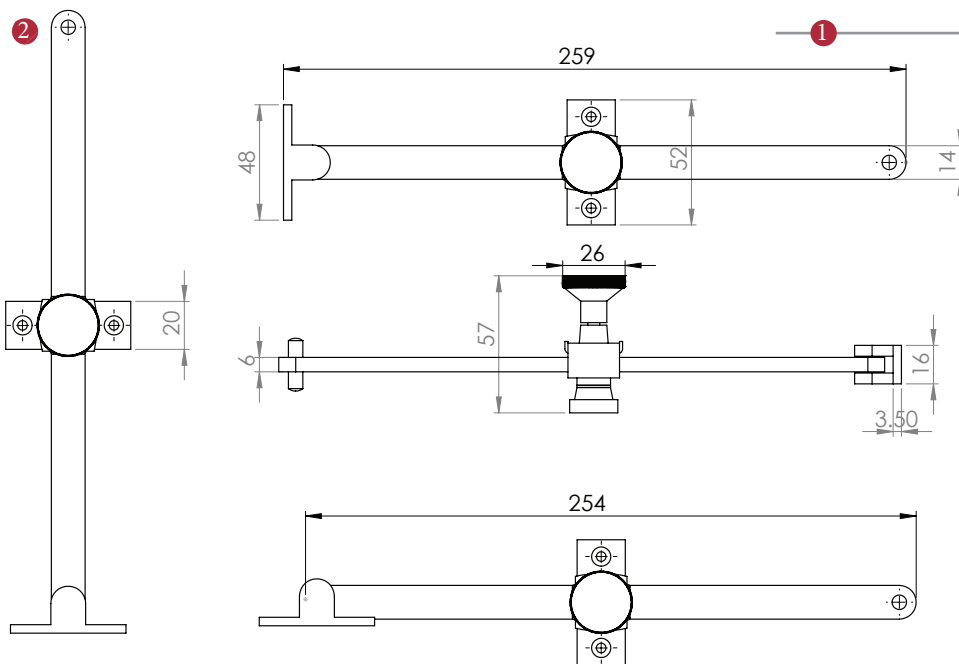
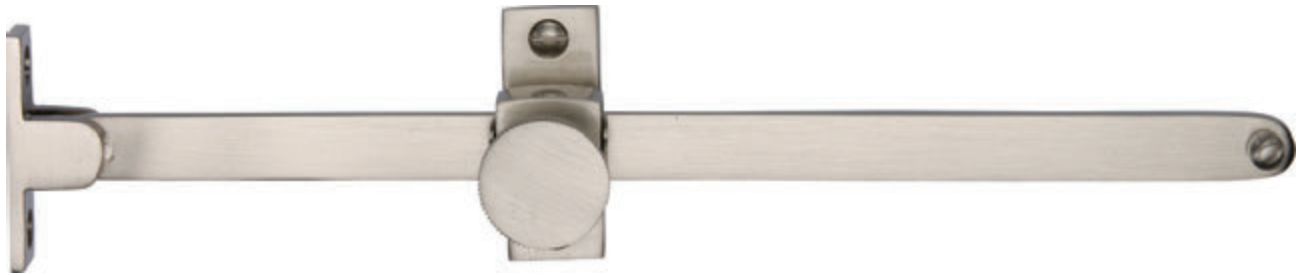


V991 SLIDING CASEMENT STAY



2 Dimensions: see the outlines given above

3  4x Brass Screw

 Steel pilot screw

FINISHES

-  Polished Brass finish
-  Polished Chrome finish
-  Antique Brass finish
-  Satin Chrome finish
-  Satin Nickel finish
-  Matt Bronze finish
-  Satin Brass finish
-  Polished Nickel finish

Overview

1 Sliding casement stay illustrated

2 (General dimensions of casement stay)

3 Supplied with:  
4 x 25mm Brass Screws  
1 x Steel pilot screw

  
M Marcus Ltd., Dudley

Product Code

V991

Material

Solid Brass

Available in all Heritage Brass finishes.

Sizes shown are in mm and approximate. We reserve the right to amend where necessary and without any prior notice.