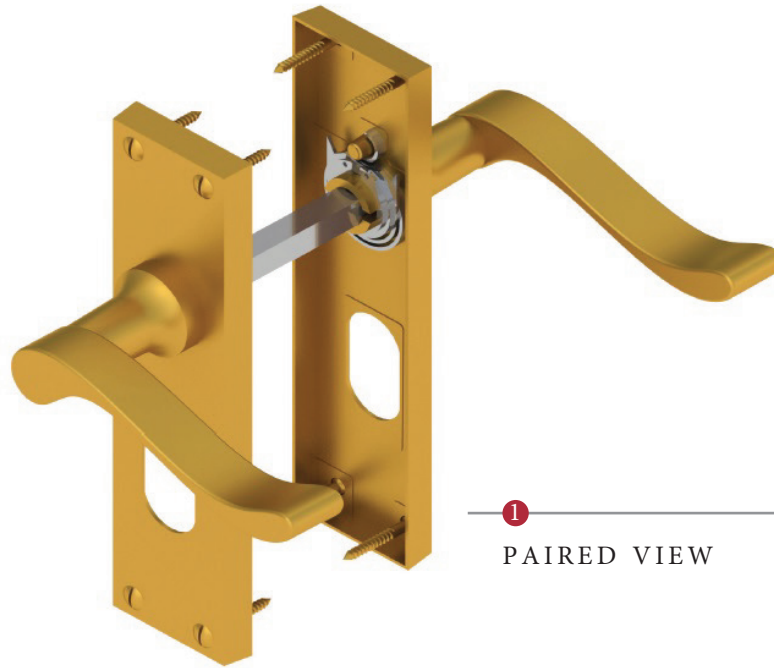
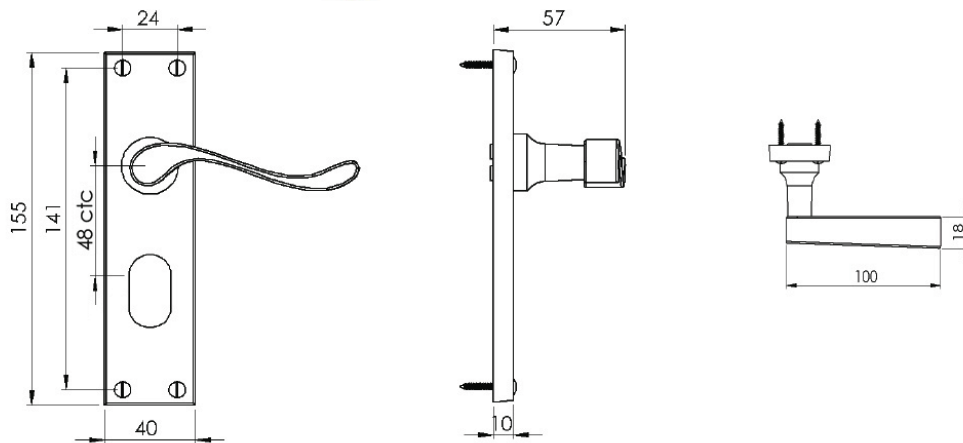
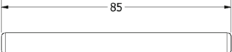



BEDFORD OVAL PROFILE LOCK HANDLE




1 PAIRED VIEW



2  
  
 Spindle : 7.8mm x 85mm - 1pc.

3  
  
 Iron starter screw x 1pc.  
 Drill pilot holes, use the starter screw to cut a thread

4  
  
 8x Brass wood screws  
 Fasten the brass screw into the pilot hole

Box  
 Contains

1	2	3	4
Pair of lever handles	1x 85mm spindle suitable for 35mm & 45mm thick door	1x Iron screw	8x Brass wood screws

  
**M Marcus Ltd., Dudley**

Product Code	Material	Available in all Heritage Brass finishes.	Sizes shown are in mm and approximate. We reserve the right to amend where necessary and without any prior notice.
V805	Solid Brass		