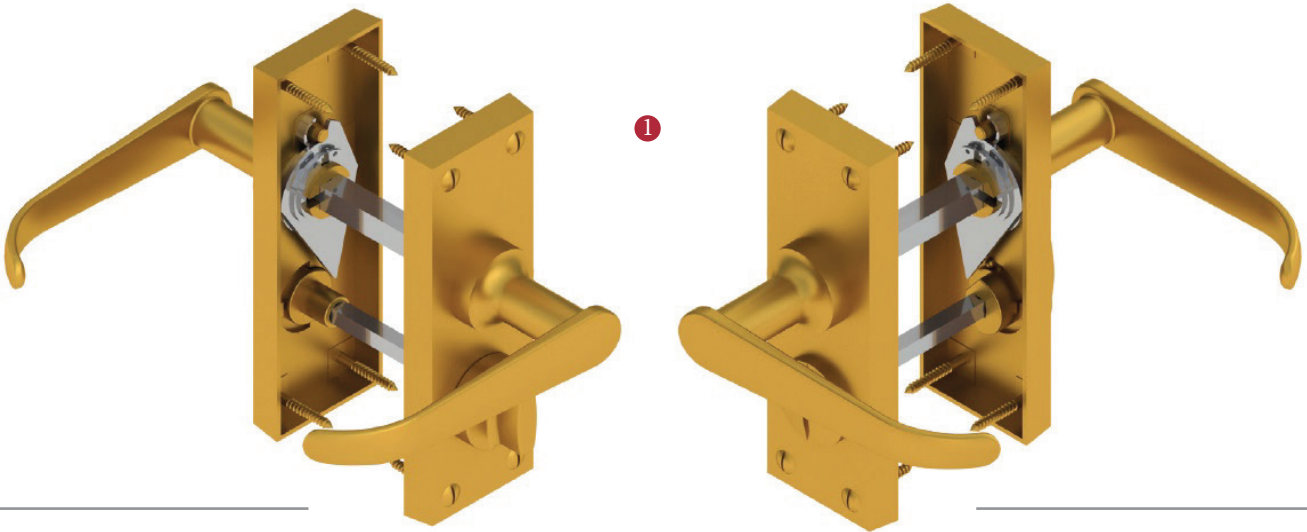
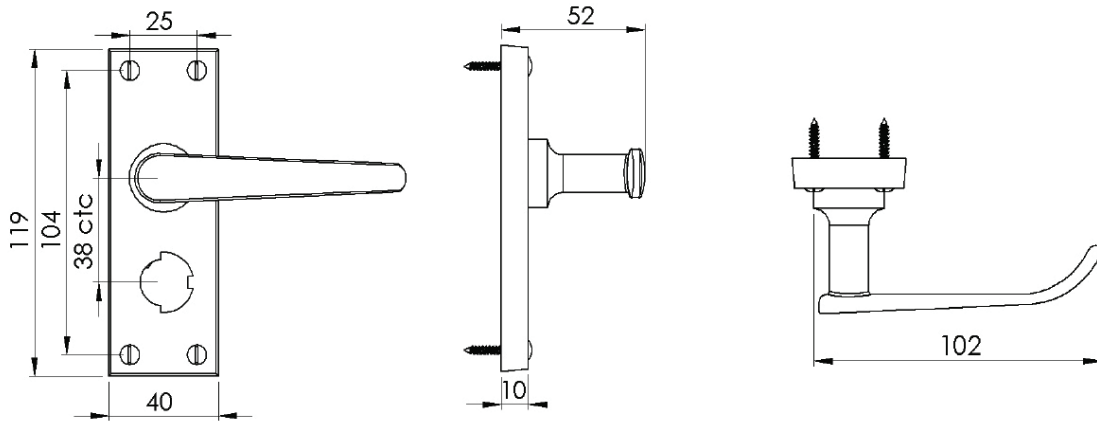


WINDSOR SHORT PRIVACY SET

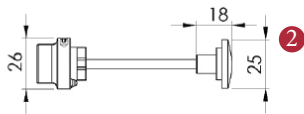


**INSIDE VIEW**  
With thumbturn.

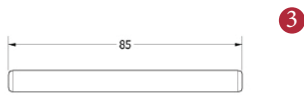
**OUTSIDE VIEW**  
With slotted release.  
Used to open door in emergency.



This latch handle is suitable for use with most U.K. tubular latches.  
For a new door installation we would recommend using our York standard tubular latch from the list below.



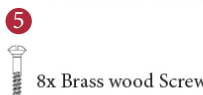
Thumbturn x 1pc.



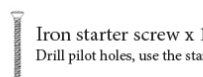
Spindle : 7.8mm x 85mm - 1pc.



2 mm Allen key :  
Used to fasten thumbturn



8x Brass wood Screws  
Fasten the Brass Screws into the Pilot holes



Iron starter screw x 1pc.  
Drill pilot holes, use the starter screw to cut a thread

**TUBULAR LATCH**

(not Included, must be ordered seperately)

YKTL2-AT	2 1/2" Antique Finish
YKTL2-BLK	2 1/2" Black Finish
YKTL2-MB	2 1/2" Matt Bronze Finish
YKTL2-PB	2 1/2" Brass Finish
YKTL2-PC&PN	2 1/2" Polished Chrome & Nickel Finish
YKTL2-SB	2 1/2" Satin Brass Finish
YKTL2-SN&SC	2 1/2" Satin Nickel & Chrome Finish
YKTL3-AT	3" Antique Finish
YKTL3-BLK	3" Black Finish
YKTL3-MB	3" Matt Bronze Finish
YKTL3-PB	3" Brass Finish
YKTL3-PC&PN	3" Polished Chrome & Nickel Finish
YKTL3-SB	3" Satin Brass Finish
YKTL3-SN&SC	3" Satin Nickel & Chrome Finish

**Box Contains**

①	②	③	④	⑤
Pair of lever handles	1x Thumbturn & release	1x 85mm spindle suitable for 35mm & 45mm thick door	1x Allen key	8x Brass wood screws 1x Iron screw

**M Marcus Ltd., Dudley**

Product Code

V735

Material

Solid Brass

Available in all Heritage Brass finishes.

Sizes shown are in mm and approximate.  
We reserve the right to amend where necessary and without any prior notice.