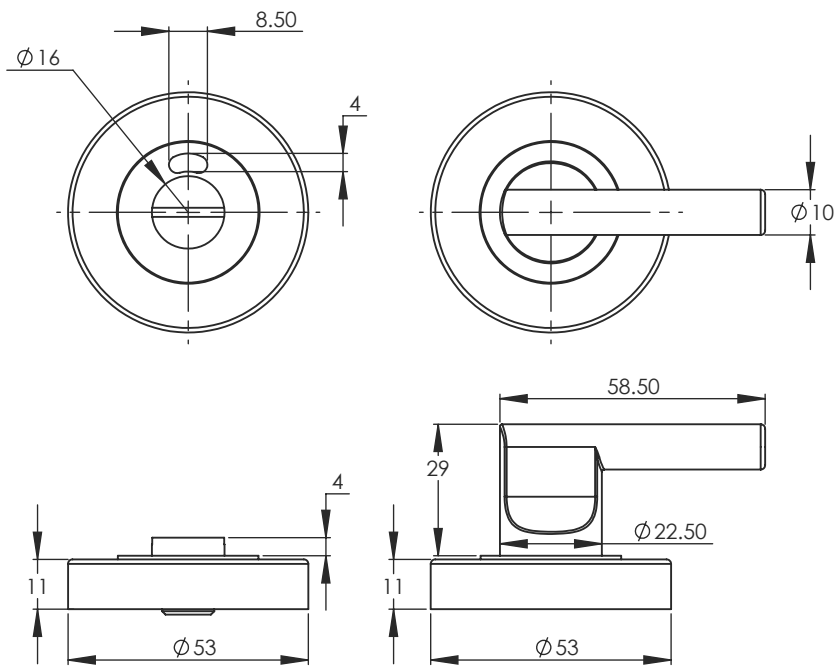
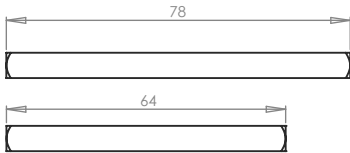


V4048 INDICATOR BATHROOM TURN & RELEASE



1

2



Spindle: 5mm x 64mm & 78mm 1 pc each
64mm spindle suitable for 35 & 45mm door thickness
& 78mm spindle suitable for 54mm door thickness.

3



8 x 19mm
Brass Screw

FINISHES

-  Matt Bronze finish
-  Satin Brass finish
-  Antique Brass finish
-  Satin Chrome finish
-  Polished Brass finish
-  Polished Chrome finish

Overview

①	②	③
Turn & Release and dimensions illustrated	2 x Spindle 1 each of: 64, & 78mm, x 5mm	Supplied with: 8 x 19mm Brass Screws 2 x Spindle


M Marcus Ltd., Dudley

Product Code

V4048

Material

Solid Brass

Sizes shown are in mm and approximate.
We reserve the right to amend where necessary and without any prior notice.