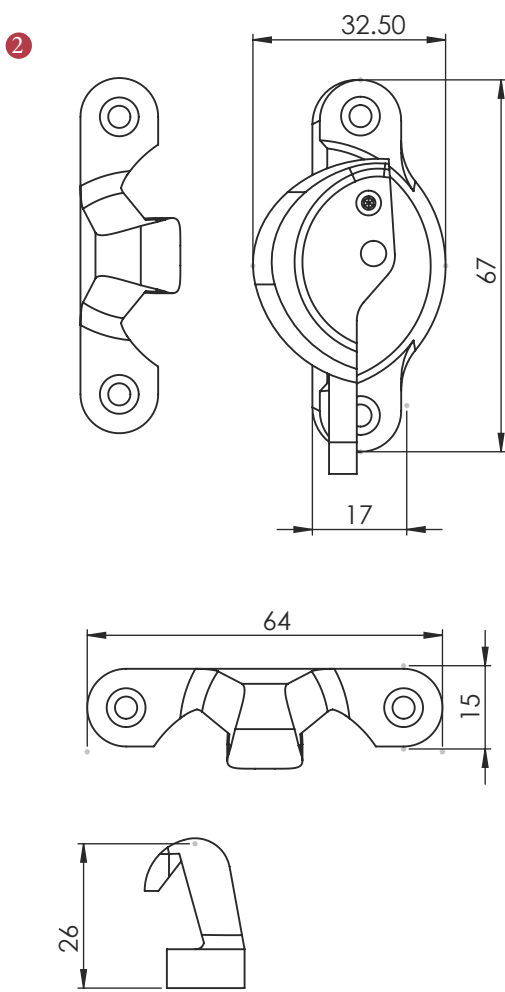
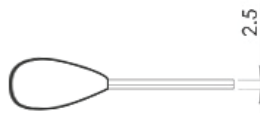
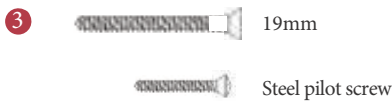


V2060L FITCH PATTERN SASH FASTENER (LOCKABLE)



1

2 Dimensions: see the outlines given above



FINISHES

- ME Matt Bronze finish
 - SB Satin Brass finish
 - PN Polished Nickel finish
 - SN Satin Nickel finish
 - AT Antique Brass finish
 - SC Satin Chrome finish
 - PE Polished Brass finish
 - PC Polished Chrome finish
- Also available in unlacquered Brass (ULB)*

Overview	1 Fitch Pattern Sash Fastener (Lockable) illustrated	2 General Dimensions of Fitch Pattern Sash Fastener	3 Supplied with: 1x Allen Key 4 x 19mm brass screws 1x Steel pilot screw
-----------------	--	---	--

 M Marcus Ltd., Dudley

Product Code	Material	Sizes shown are in mm and approximate. We reserve the right to amend where necessary and without any prior notice.
V2060L	Solid Brass	