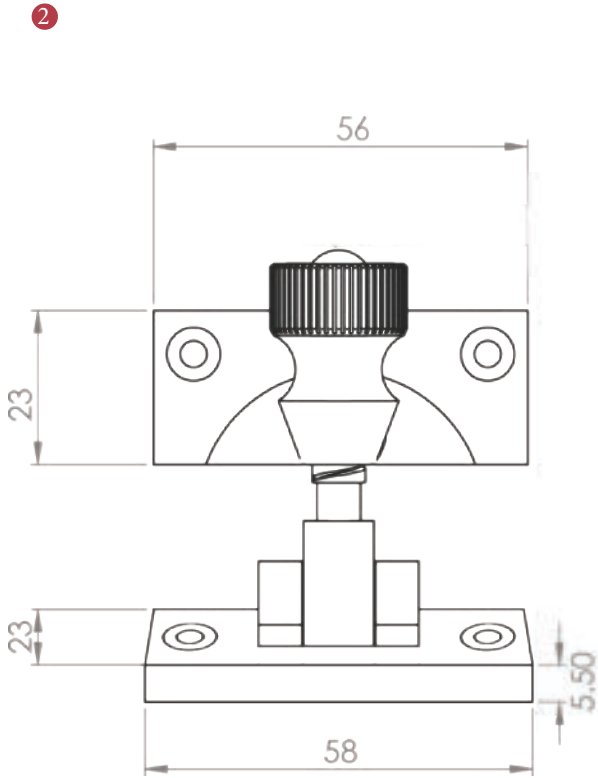
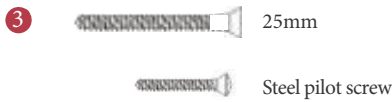


V2055 BRIGHTON SASH FASTENER



② Dimensions:
see the outlines given above



FINISHES

- ME Matt Bronze finish
- SB Satin Brass finish
- PN Polished Nickel finish
- SN Satin Nickel finish
- AT Antique Brass finish
- SC Satin Chrome finish
- PB Polished Brass finish
- PC Polished Chrome finish

Overview

- ① Brighton Sash Fastener illustrated
- ② General Dimensions of Brighton Sash Fastener
- ③ Supplied with:
4 x 25mm brass screws
1x Steel pilot screw

M Marcus Ltd., Dudley

Product Code

V2055

Material

Solid Brass

Available in all Heritage Brass finishes.

Sizes shown are in mm and approximate. We reserve the right to amend where necessary and without any prior notice.