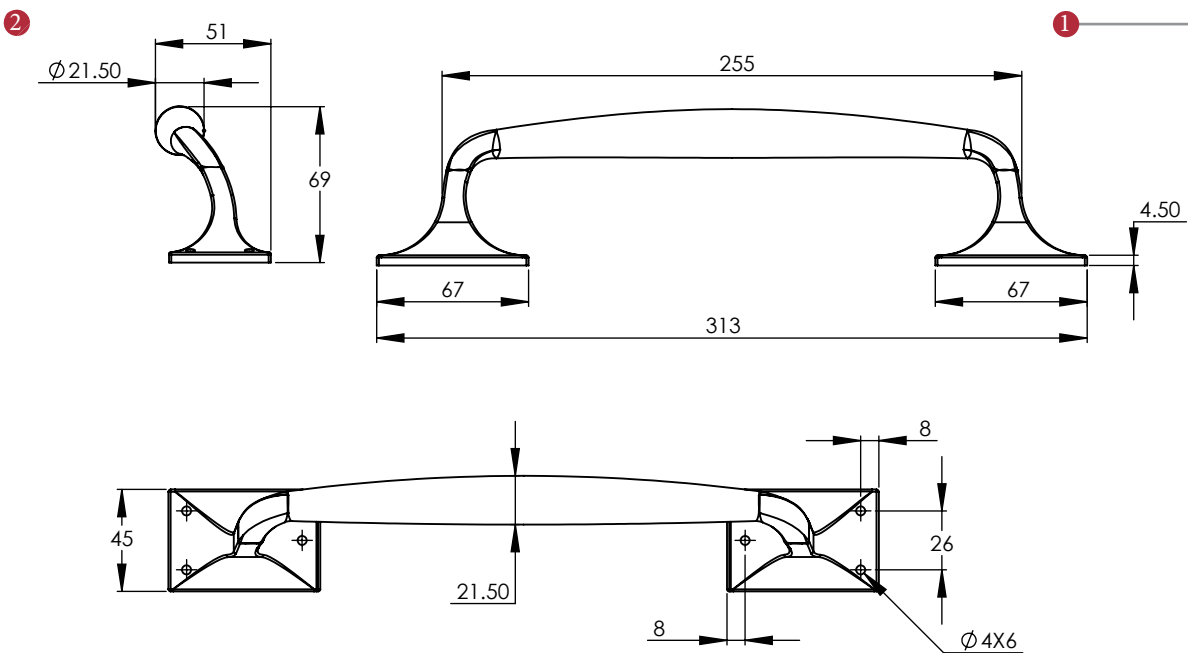


V1150 310 CRANKED PULL HANDLE



② Dimensions: see the outlines given above

③ 6 x Brass Screws
1 x Steel pilot screw

FINISHES

- Matt Bronze finish
- Satin Brass finish
- Satin Nickel finish
- Antique Brass finish
- Polished Brass finish
- Polished Chrome finish

Overview

① Cranked Pull handle illustrated

② (General dimensions of pull handle)

③ Supplied with:
6 x 25mm [1"] Brass Screws
1x Steel pilot screw

M Marcus Ltd., Dudley

Product Code

V1150 310

Material

Solid Brass

Sizes shown are in mm and approximate. We reserve the right to amend where necessary and without any prior notice.