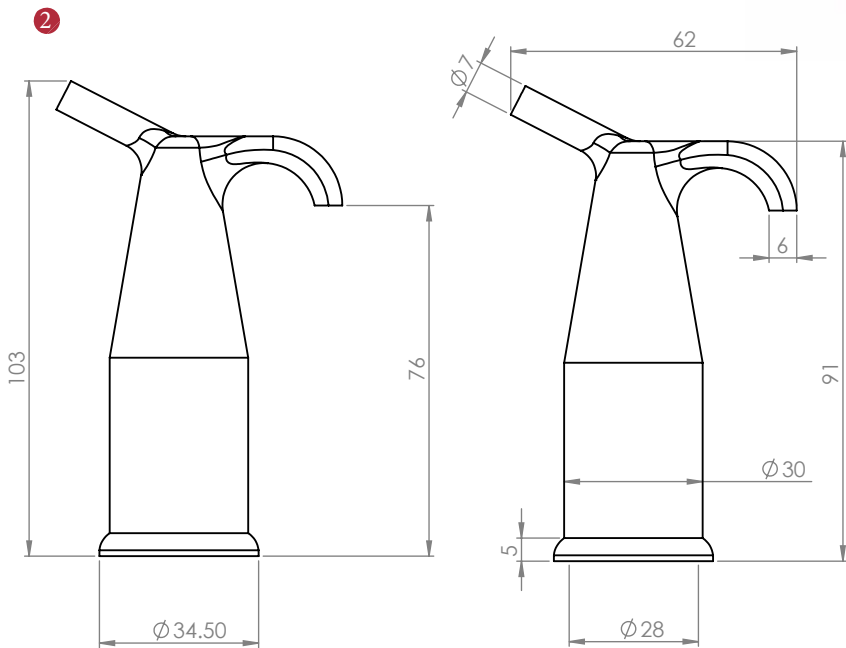


V1116 POLE HOOK



② Dimensions:
see the outlines given above

③  2 x Brass Screw

FINISHES

-  Satin Nickel finish
-  Antique Brass finish
-  Polished Brass finish
-  Polished Chrome finish

Overview

① Pole Hook illustrated

② (General dimensions of Pole Hook)

③ Supplied with:
2 x 19mm Brass Screws
1x Steel pilot screw


M Marcus Ltd., Dudley

Product Code

V1116

Material

Solid Brass

Sizes shown are in mm and approximate.
We reserve the right to amend where necessary and without any prior notice.