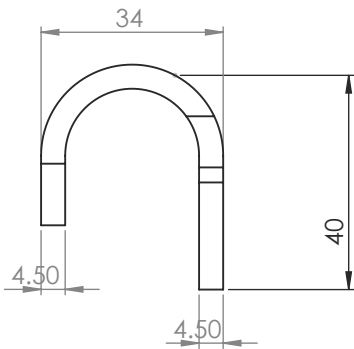
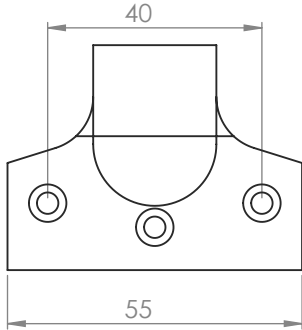


V1110 SASH LIFT

2



1

2 Dimensions: see the outlines given above

3



19mm



Steel pilot screw

FINISHES

- ME Matt Bronze finish
  - SB Satin Brass finish
  - PN Polished Nickel finish
  - SN Satin Nickel finish
  - AT Antique Brass finish
  - SC Satin Chrome finish
  - PE Polished Brass finish
  - PC Polished Chrome finish
  - BK Matt Black finish
- Also available in Unlacquered Brass (ULB)*

Overview

1

Sash Lift illustrated

2

General Dimensions of Sash Lift

3

Supplied with:  
3 x 19mm brass screws  
1x Steel pilot screw

  
M Marcus Ltd., Dudley

Product Code

V1110

Material

Solid Brass

Sizes shown are in mm and approximate. We reserve the right to amend where necessary and without any prior notice.