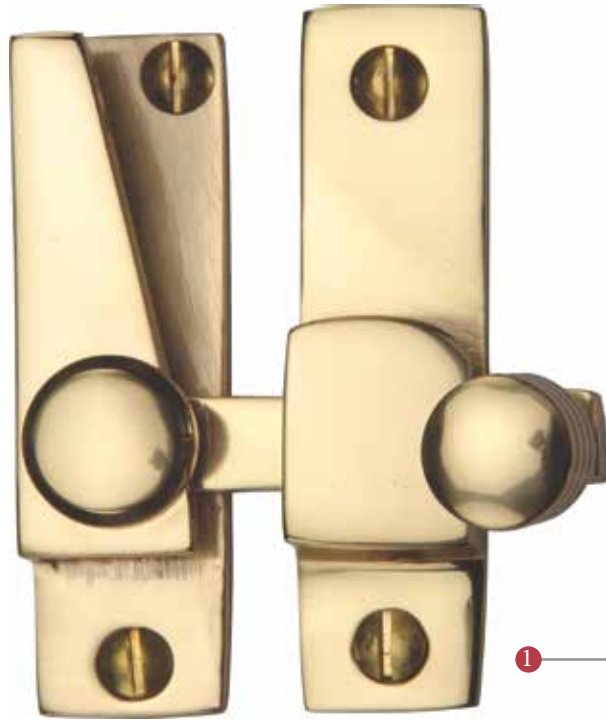
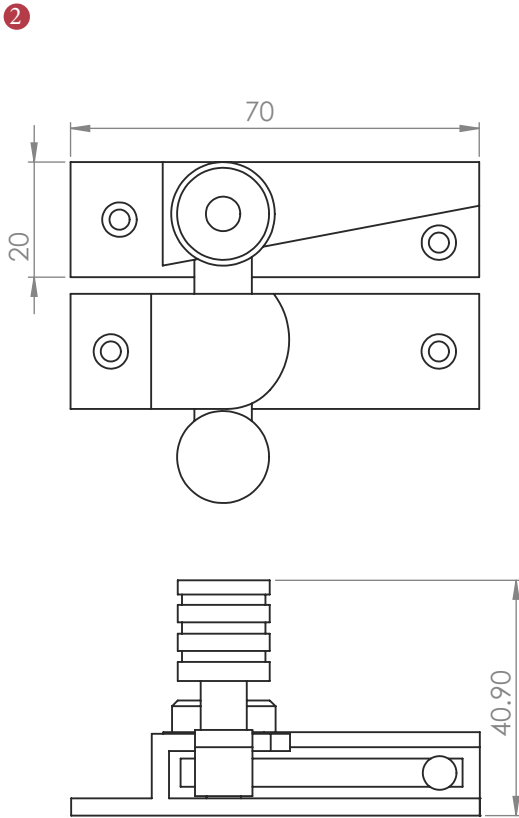


V1105 HOOK PLATE SASH FASTENER



2 Dimensions: see the outlines given above



FINISHES

- ME Matt Bronze finish
- SB Satin Brass finish
- PN Polished Nickel finish
- SN Satin Nickel finish
- AT Antique Brass finish
- SC Satin Chrome finish
- PE Polished Brass finish
- PC Polished Chrome finish

Overview

1 Hook Plate Sash Fastener illustrated

2 General Dimensions of Hook Plate Sash Fastener

3 Supplied with:
4 x 19mm brass screws
1x Steel pilot screw

M Marcus Ltd., Dudley

Product Code

V1105

Material

Solid Brass

Sizes shown are in mm and approximate. We reserve the right to amend where necessary and without any prior notice.