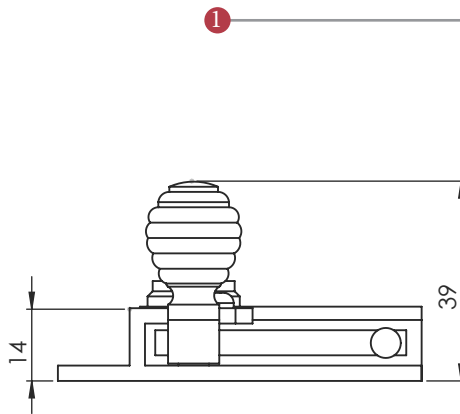
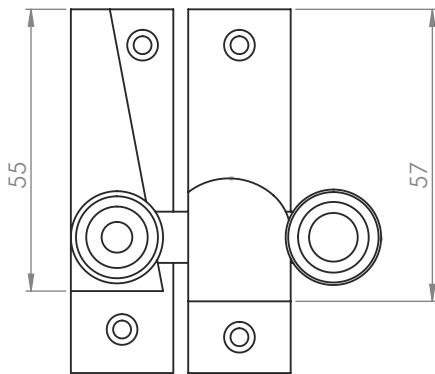
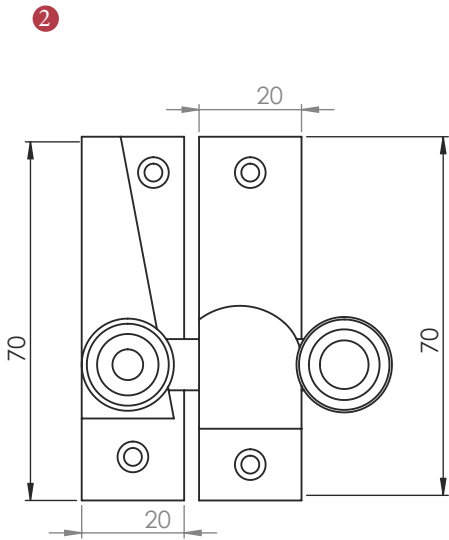
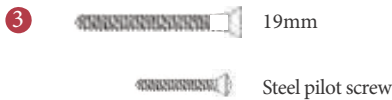


V1104 HOOK PLATE SASH FASTENER



② Dimensions: see the outlines given above



FINISHES

- MB Matt Bronze finish
- SB Satin Brass finish
- PN Polished Nickel finish
- SN Satin Nickel finish
- AT Antique Brass finish
- SC Satin Chrome finish
- PB Polished Brass finish
- PC Polished Chrome finish

Also available in Unlacquered Brass (ULB)

Overview	① Hook Plate Sash Fastener illustrated	② General Dimensions of Hook Plate Sash Fastener	③ Supplied with: 4 x 19mm brass screws 1x Steel pilot screw
----------	--	--	---

M Marcus Ltd., Dudley

Product Code	Material	Sizes shown are in mm and approximate. We reserve the right to amend where necessary and without any prior notice.
V1104	Solid Brass	