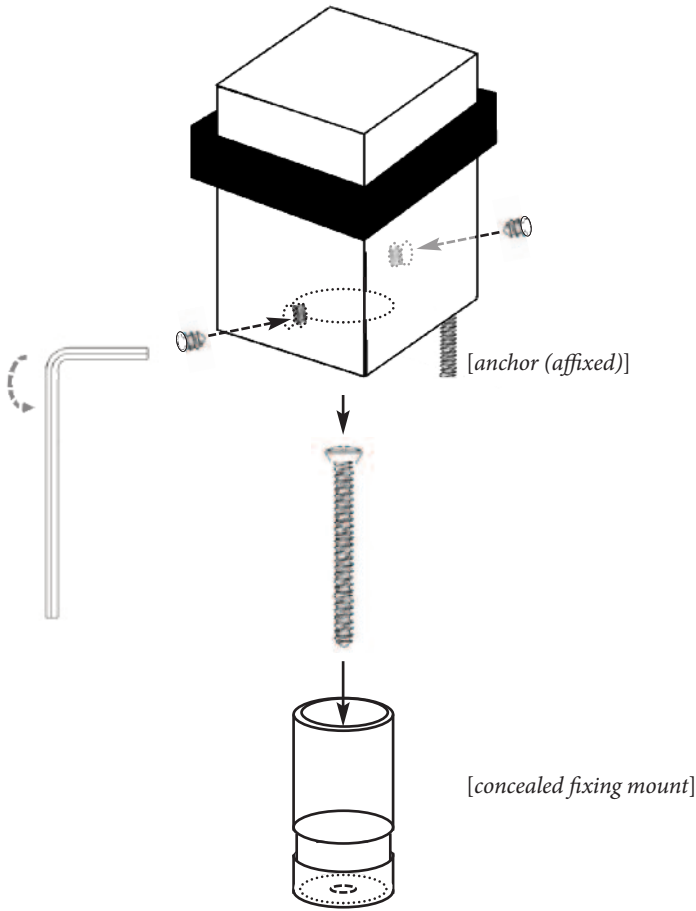


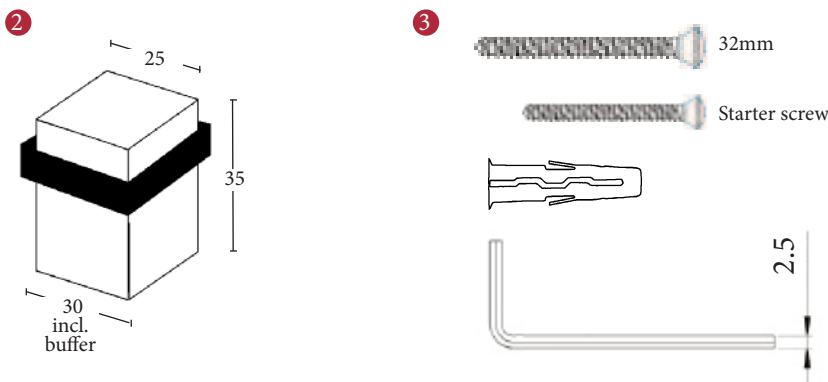
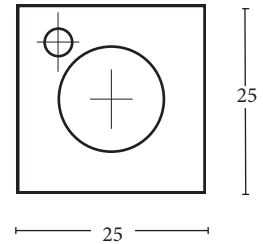
## V1088 FLOOR MOUNTED DOOR STOP



1

### FLOOR MOUNTING TEMPLATE

MUST be printed off at full scale when using this template



### FITTING

- 1 Position base part behind door at a point more than half way along from the hinged edge and determine where to drill fixing holes as desired, there drill a 4mm hole for the affixed [anchor] and a central 4mm drilled hole (or larger to allow for rawplug if you have concrete floors) utilising the template as given above.
- 2 To assemble: affix the concealed fixing mount through the centre hole using the 32mm screw provided, and onto which insert the door stop.
- 3 Next locate the anchor point and insert.
- 4 Then taking the Allen bolt, on two sides (as indicated above) grip the door stop to the concealed fixing mount using the grub screws provided.
- 5 Tighten and test

### Overview

- |   |   |   |                                |   |   |   |
|---|---|---|--------------------------------|---|---|---|
| 1 | Door Stop illustrated with floor template | 2 | General dimensions of assembly | 3 | Supplied with:<br>1x Allen key<br>2x threaded grub bolt | 1x 30mm screw<br>1x starter screw<br>1x plastic rawplug |
|---|---|---|--------------------------------|---|---|---|

 M Marcus Ltd., Dudley

Product Code

V1089

Material

Solid Brass

Available in all Heritage Brass finishes.

Sizes shown are in mm and approximate. We reserve the right to amend where necessary and without any prior notice.