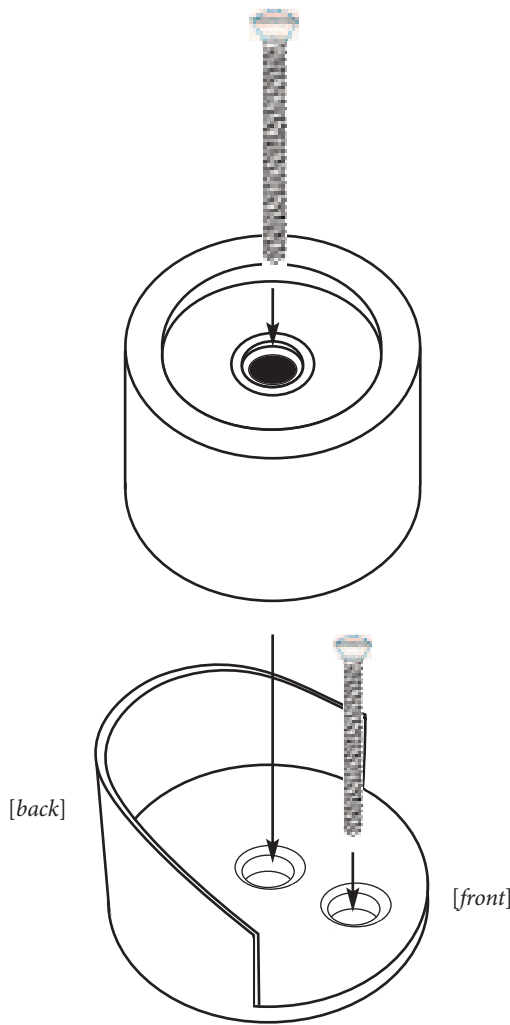


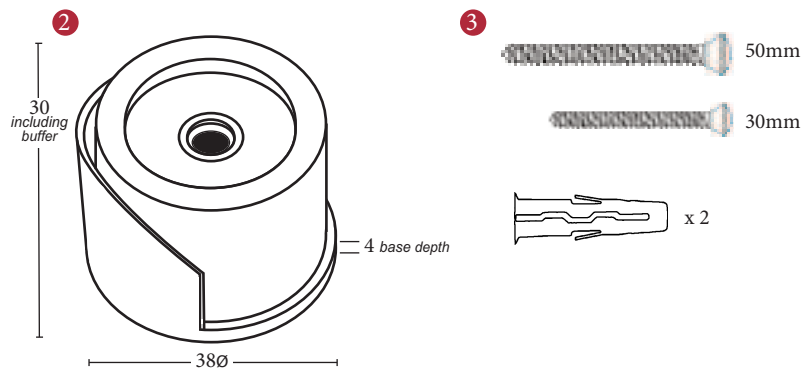
V1088 FLOOR MOUNTED DOOR STOP



Buffer

Base

1



<p>Overview</p>	<p>① Floor Mounted Door Stop illustrated</p>	<p>② (General dimensions of assembly)</p>	<p>③ Supplied with: 2 x plastic rawlplug 1 x 50mm multi-purpose screw 1 x 30mm multi-purpose screw</p>
------------------------	--	---	--

FITTING Floor Mounted

- 1 Position base part behind door at a point more than half way along from the hinged edge and determine where to drill fixing holes as desired, ensuring that the [front] is facing outwards, that being towards the back of the opened door
- 2 Mark out holes for the two fixings (note: plastic plugs are provided for where floors are concrete)
- 3 Affix the base part through the [front] base hole using the 30mm multi-purpose screw as above illustrated.
- 4 Affix the buffer part through the centre hole and correspondingly through the centre hole of the base part using the 50mm multi-purpose screw as above illustrated.
- 5 Test


M Marcus Ltd., Dudley

<p>Product Code</p>	<p>Material</p>	<p>Available in all Heritage Brass finishes.</p>	<p>Sizes shown are in mm and approximate. We reserve the right to amend where necessary and without any prior notice.</p>
<p>V1088</p>	<p>Solid Brass</p>		