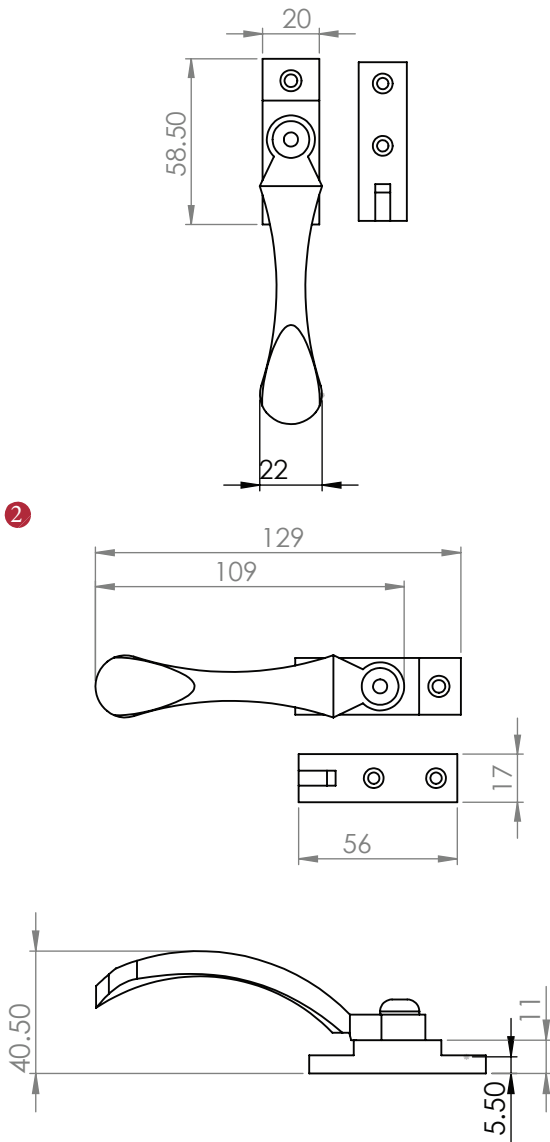
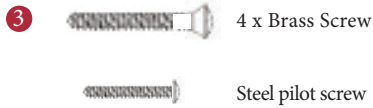


V1005 LOCKING CASEMENT STAY



② Dimensions:  
see the outlines given above



FINISHES


-  Polished Brass finish
-  Polished Chrome finish
-  Antique Brass finish
-  Satin Chrome finish
-  Satin Nickel finish
-  Matt Bronze finish
-  Satin Brass finish
-  Polished Nickel finish

Overview

① Locking casement fastener illustrated

② (General dimensions of casement fastener)

③ Supplied with: 1 x 2.5mm Allen Key  
4 x 25mm Brass Screws  
1 x Steel pilot screw

  
M Marcus Ltd., Dudley

Product Code

V1005

Material

Solid Brass

Sizes shown are in mm and approximate. We reserve the right to amend where necessary and without any prior notice.