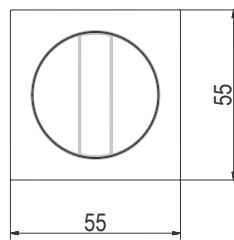
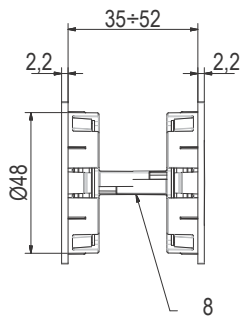
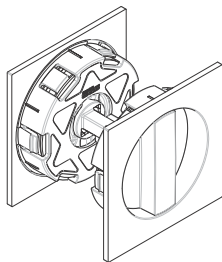
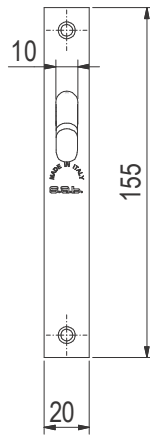
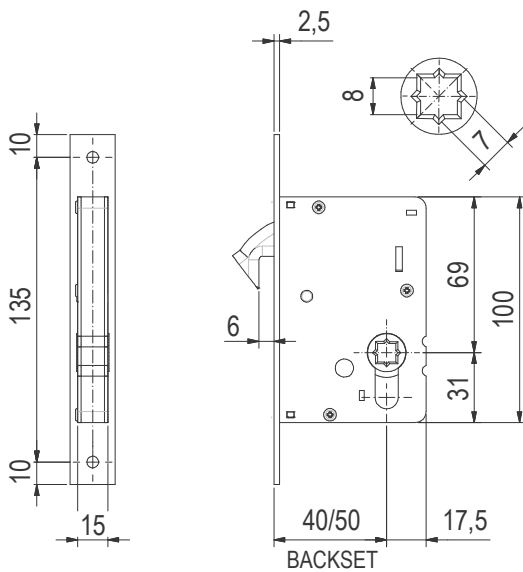


SQ2308 FLUSH HANDLE LOCK SETS FOR SLIDING PRIVACY DOORS

1 LOCK AND HANDLE DIMENSIONS



FITTING GUIDE

Assembly Instructions are included in each box

SIZES CODES & FINISHES

40mm Backset:
 SQ2308-40-PB (Polished Brass)
 SQ2308-40-PC (Polished Chrome)
 SQ2308-40-SC (Satin Chrome)
 SQ2308-40-SN (Satin Nickel)
 SQ2308-40-AT (Antique Finish)
 SQ2308-40-SB (Satin Brass)
 SQ2308-40-MB (Matt Bronze)
 SQ2308-40-BLK (Matt Black)

50mm Backset:
 SQ2308-50-PB (Polished Brass)
 SQ2308-50-PC (Polished Chrome)
 SQ2308-50-SC (Satin Chrome)
 SQ2308-50-SN (Satin Nickel)
 SQ2308-50-AT (Antique Finish)
 SQ2308-50-SB (Satin Brass)
 SQ2308-50-MB (Matt Bronze)
 SQ2308-50-BLK (Matt Black)



Box Contains

1 Lock & handle (dimensions illustrated)

2 4 x 25mm screws

3 Supplied with:
 1 x Finger pull ø30mm (matching finish)
 1 x Strike plate 90x20mm (matching finish)

M Marcus Ltd., Dudley

Material

Steel, Zinc alloy & Plastics

Description

Flush Handle Lock Set

Sizes shown are in mm and approximate unless otherwise indicated. We reserve the right to amend where necessary and without any prior notice.