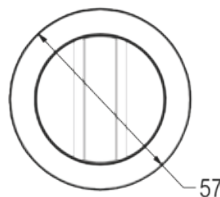
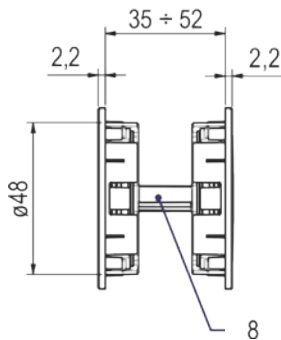
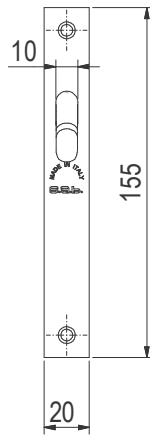
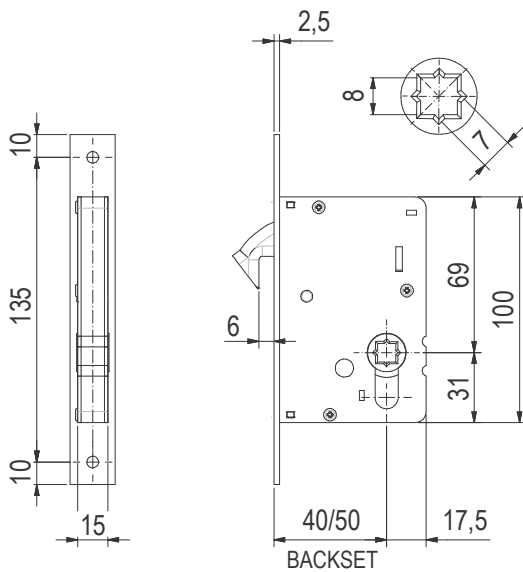


## RD2308 FLUSH HANDLE LOCK SETS FOR SLIDING PRIVACY DOORS

### 1 LOCK AND HANDLE DIMENSIONS



### FITTING GUIDE

Assembly Instructions are included in each box

### SIZES CODES & FINISHES

40mm Backset:  
 RD2308-40-PB (Polished Brass)  
 RD2308-40-PC (Polished Chrome)  
 RD2308-40-SC (Satin Chrome)  
 RD2308-40-SN (Satin Nickel)  
 RD2308-40-AT (Antique Finish)  
 RD2308-40-SB (Satin Brass)  
 RD2308-40-MB (Matt Bronze)  
 RD2308-40-BLK (Matt Black)

50mm Backset:  
 RD2308-50-PB (Polished Brass)  
 RD2308-50-PC (Polished Chrome)  
 RD2308-50-SC (Satin Chrome)  
 RD2308-50-SN (Satin Nickel)  
 RD2308-50-AT (Antique Finish)  
 RD2308-50-SB (Satin Brass)  
 RD2308-50-MB (Matt Bronze)  
 RD2308-50-BLK (Matt Black)



4 x screws



Box  
Contains

1 Lock & handle  
(dimensions illustrated)

2 4 x 25mm  
screws

3 Supplied with:  
1 x Finger pull  $\varnothing$ 30mm (matching finish)  
1 x Strike plate 90x20mm (matching finish)

  
M Marcus Ltd., Dudley

Material

Steel, Zinc alloy & Plastics

Description

Flush Handle Lock Set

Sizes shown are in mm and approximate unless otherwise indicated. We reserve the right to amend where necessary and without any prior notice.