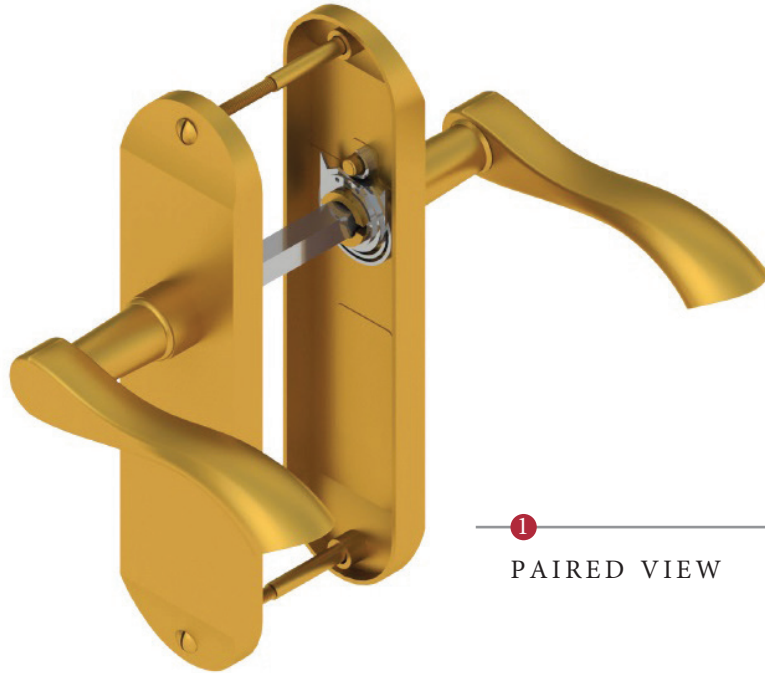
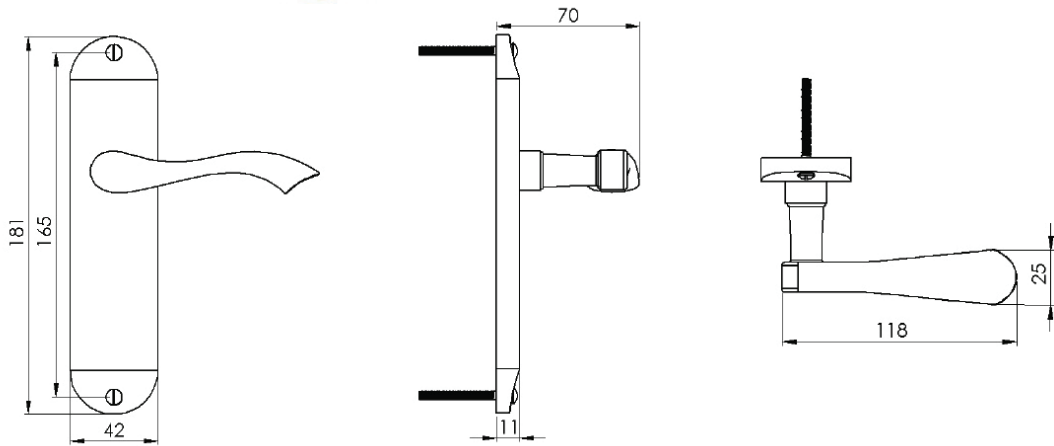


ALGARVE LEVER LATCH HANDLE



1
PAIRED VIEW

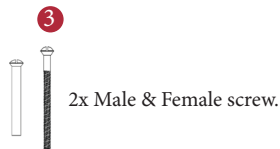
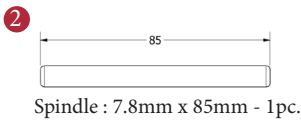


This latch handle is suitable for use with most U.K. tubular latches.
For a new door installation we would recommend using our York standard tubular latch from the list below. Please select the size and finish required.

TUBULAR LATCH

(not Included, must be ordered separately)

- YKTL2-AT 2 1/2" Antique Finish
- YKTL2-BLK 2 1/2" Black Finish
- YKTL2-MB 2 1/2" Matt Bronze Finish
- YKTL2-PB 2 1/2" Brass Finish
- YKTL2-PC&PN 2 1/2" Polished Chrome & Nickel Finish
- YKTL2-SB 2 1/2" Satin Brass Finish
- YKTL2-SN&SC 2 1/2" Satin Nickel & Chrome Finish
- YKTL3-AT 3" Antique Finish
- YKTL3-BLK 3" Black Finish
- YKTL3-MB 3" Matt Bronze Finish
- YKTL3-PB 3" Brass Finish
- YKTL3-PC&PN 3" Polished Chrome & Nickel Finish
- YKTL3-SB 3" Satin Brass Finish
- YKTL3-SN&SC 3" Satin Nickel & Chrome Finish



Box
Contains

1	2	3
Pair of lever handles	1x 85mm spindle suitable for 35mm & 45mm thick door	2x Brass male & female screw sets


M Marcus Ltd., Dudley

Product Code

MM927

Material

Solid Brass

Available in all Heritage Brass finishes.

Sizes shown are in mm and approximate.
We reserve the right to amend where necessary and without any prior notice.