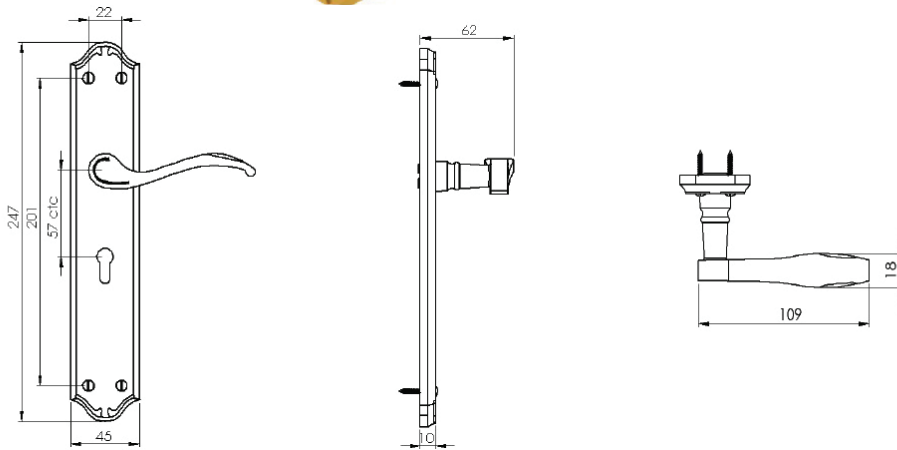


VERONA LONG LEVER LOCK HANDLE



1  
PAIRED VIEW



This lock handle is suitable for use with most U.K. sashlocks with 57mm CTC.  
For a new interior door installation we would recommend using our York 3 lever sashlock from the list below.

3 LEVER SASHLOCK

(not Included, must be ordered seperately)

|             |  |
|-------------|--|
| YKSL2-AT    | 2 1/2" Antique Finish                  |
| YKSL2-BLK   | 2 1/2" Black Finish                    |
| YKSL2-MB    | 2 1/2" Matt Bronze Finish              |
| YKSL2-PB    | 2 1/2" Brass Finish                    |
| YKSL2-PC&PN | 2 1/2" Polished Chrome & Nickel Finish |
| YKSL2-SB    | 2 1/2" Satin Brass Finish              |
| YKSL2-SN&SC | 2 1/2" Satin Nickel & Chrome Finish    |
| YKSL3-AT    | 3" Antique Finish                      |
| YKSL3-BLK   | 3" Black Finish                        |
| YKSL3-MB    | 3" Matt Bronze Finish                  |
| YKSL3-PB    | 3" Brass Finish                        |
| YKSL3-PC&PN | 3" Polished Chrome & Nickel Finish     |
| YKSL3-SB    | 3" Satin Brass Finish                  |
| YKSL3-SN&SC | 3" Satin Nickel & Chrome Finish        |

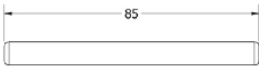
3

Iron starter screw x 1pc.  
Drill pilot holes, use the starter screw to cut a thread

4

8x Brass wood Screw  
Fasten the Brass Screw into the Pilot hole

2



Spindle : 7.8mm x 85mm - 1pc.

Box  
Contains

1

Pair of lever handles

2

1x 85mm spindle  
suitable for 35mm &  
45mm thick door

3

1x Iron screw

4

8x Brass  
wood screws

M Marcus Ltd., Dudley

Product Code

MM824

Material

Solid Brass

Available in all Heritage Brass finishes.

Sizes shown are in mm and approximate.  
We reserve the right to amend where  
necessary and without any prior notice.