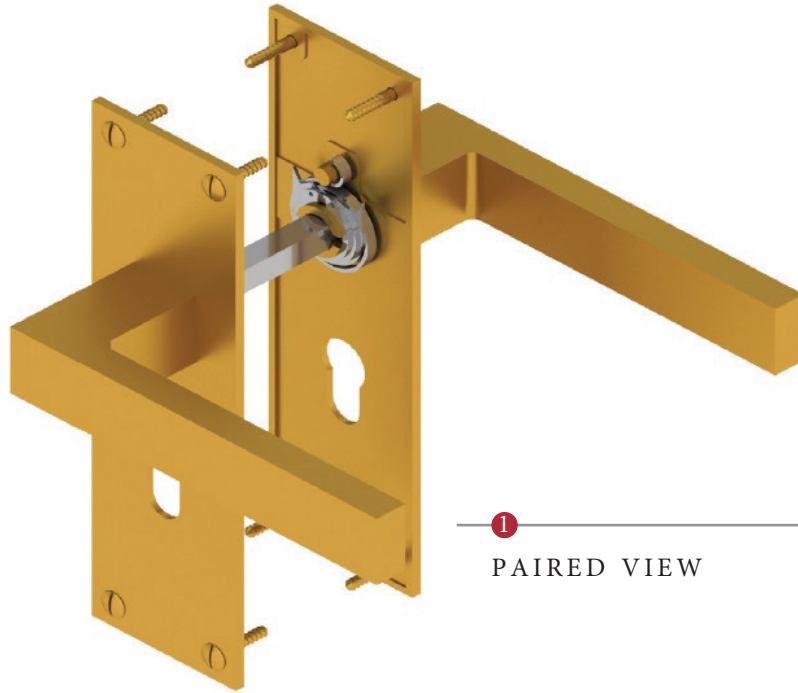
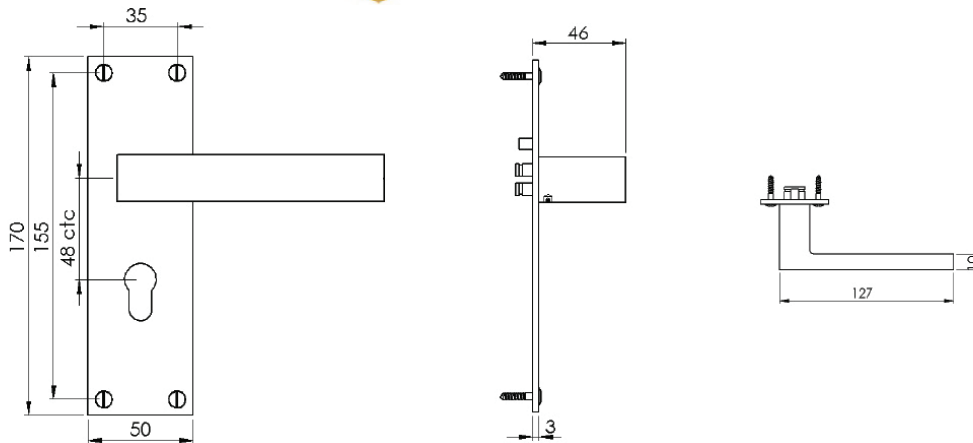


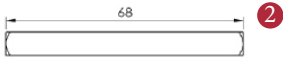
METRO EURO PROFILE LOCK HANDLE



1  
PAIRED VIEW



This lock handle is suitable for use with most U.K. Euro Profile cylinders and sashlocks with a 48mm CTC.



Spindle : 7.8mm x 68mm - 1pc.



4  
Iron starter screw x 1pc.  
Drill pilot holes, use the starter screw to cut a thread



2.5 mm Allen key :  
Used to fasten handle

3



5  
8x Brass wood Screw  
Fasten the Brass Screw into the Pilot hole

EURO PROFILE SASHLOCKS  
with a 48mm CTC  
(not Included, must be ordered separately)

- YKCSLE27.CE 2.1/2" PVD Brass Finish
- YKCSLE28.CE 2.1/2" PSS
- YKCSLE29.CE 2.1/2" SSS
- YKCSLE37.CE 3" PVD Brass Finish
- YKCSLE38.CE 3" PSS
- YKCSLE39.CE 3" SSS

Box  
Contains

- 1 Pair of lever handles
- 2 1x 68mm spindle suitable for 35mm & 45mm thick door
- 3 1x Allen key
- 4 1x Iron screw
- 5 8x Brass wood screws

M Marcus Ltd., Dudley

Product Code

MET4948

Material

Solid Brass

Available in all Heritage Brass finishes.

Sizes shown are in mm and approximate.  
We reserve the right to amend where necessary and without any prior notice.