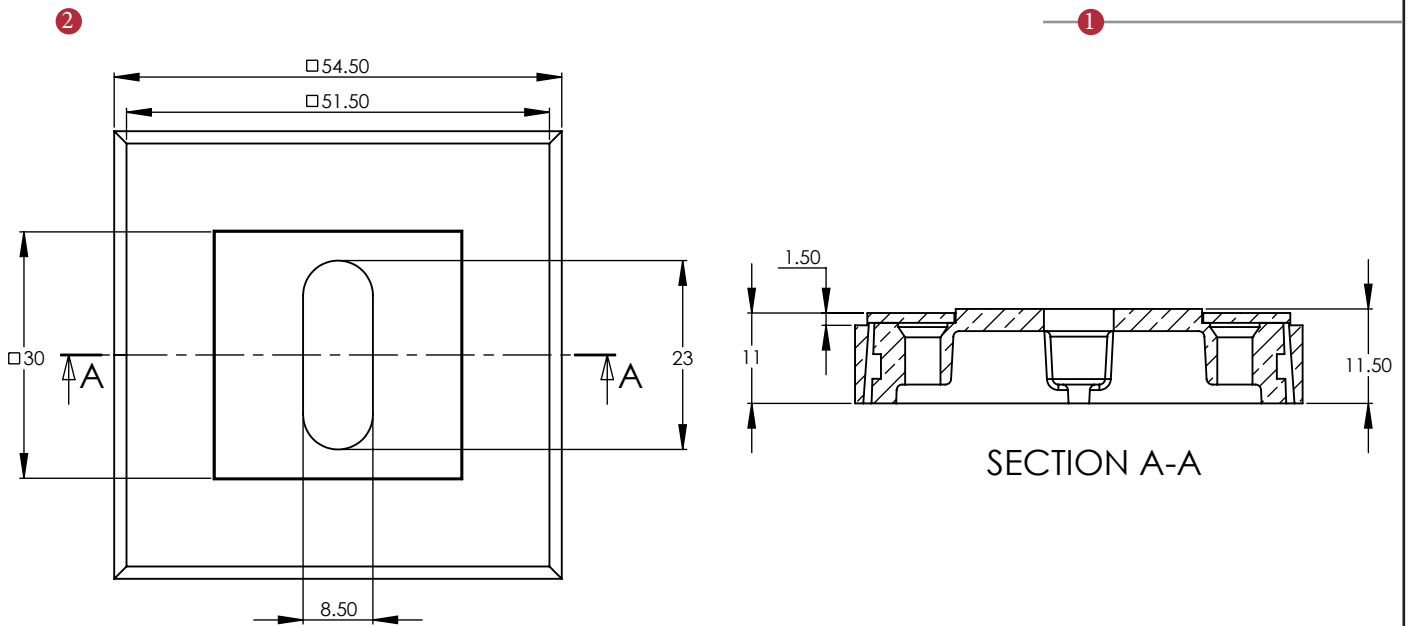
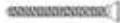


DEC7000 STANDARD KEY ESCUTCHEON SQUARE



2 Dimensions: see the outlines given above

3  4 x Phillips Flat Head CSK Brass Screw

FINISHES

-  Matt Bronze finish
-  Satin Brass finish
-  Polished Nickel finish
-  Satin Nickel finish
-  Antique Brass finish
-  Polished Chrome finish

Overview	1 Key Escutcheon illustrated	2 General Dimension of Key Escutcheon	3 Supplied with: 4 x 19mm Brass Screws
-----------------	------------------------------	---------------------------------------	--

 M Marcus Ltd., Dudley

Product Code	Material	Sizes shown are in mm and approximate. We reserve the right to amend where necessary and without any prior notice.
DEC7000	Solid Brass	