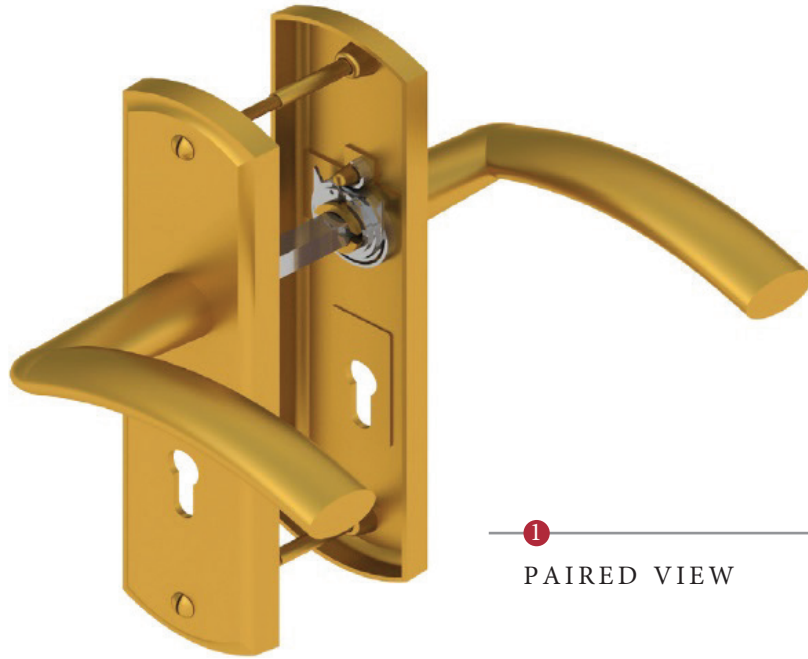
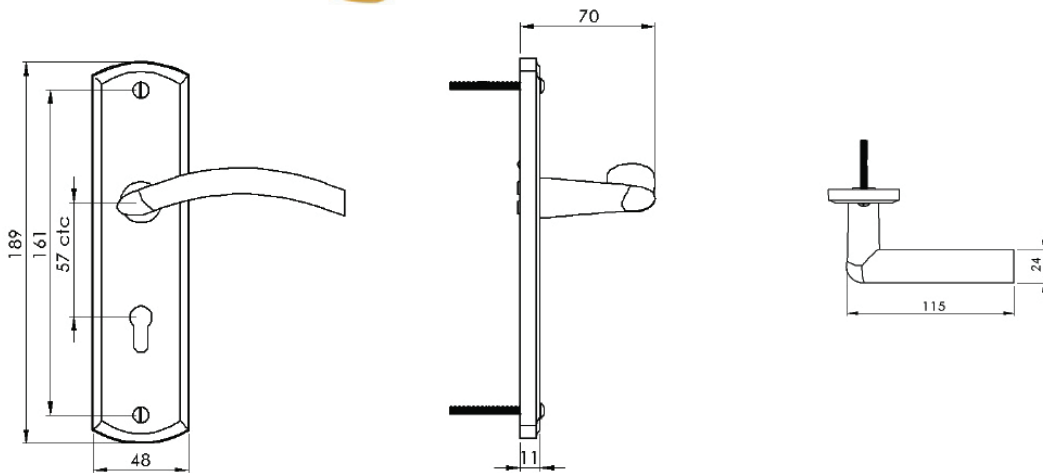


CENTAUR LEVER LOCK HANDLE



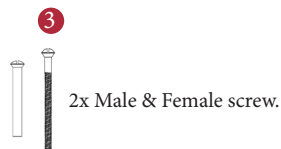
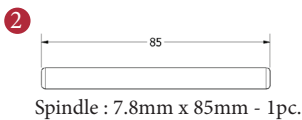
1
PAIRED VIEW



This lock handle is suitable for use with most U.K. sashlocks with 57mm CTC.
For a new interior door installation we would recommend using our York 3 lever sashlock from the list below.

3 LEVER SASHLOCK
(not Included, must be ordered separately)

- YKSL2-AT 2 1/2" Antique Finish
- YKSL2-BLK 2 1/2" Black Finish
- YKSL2-MB 2 1/2" Matt Bronze Finish
- YKSL2-PB 2 1/2" Brass Finish
- YKSL2-PC&PN 2 1/2" Polished Chrome & Nickel Finish
- YKSL2-SB 2 1/2" Satin Brass Finish
- YKSL2-SN&SC 2 1/2" Satin Nickel & Chrome Finish
- YKSL3-AT 3" Antique Finish
- YKSL3-BLK 3" Black Finish
- YKSL3-MB 3" Matt Bronze Finish
- YKSL3-PB 3" Brass Finish
- YKSL3-PC&PN 3" Polished Chrome & Nickel Finish
- YKSL3-SB 3" Satin Brass Finish
- YKSL3-SN&SC 3" Satin Nickel & Chrome Finish



Box
Contains

1
Pair of lever handles

2
1x 85mm spindle
suitable for 35mm &
45mm thick door

3
2x male & female
screw sets

M Marcus Ltd., Dudley

Product Code

CEN1000

Material

Solid Brass

Available in all Heritage Brass finishes.

Sizes shown are in mm and approximate.
We reserve the right to amend where
necessary and without any prior notice.