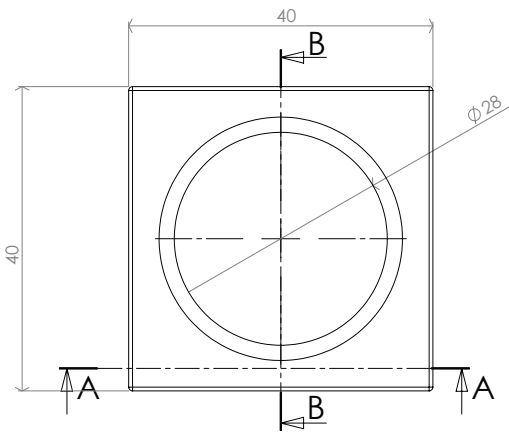


C-4465 CABINET KNOB

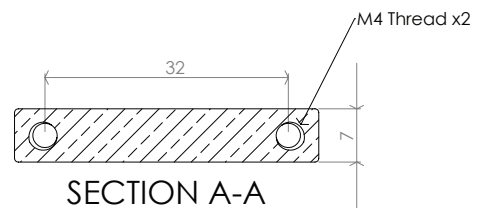
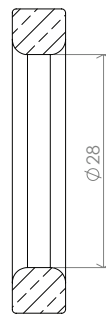


2

1

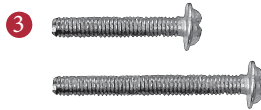


SECTION B-B



SECTION A-A

2 Dimensions:
see the outlines given above



2 x M4 (28mm length)
2 x M4 (40mm length)

FINISHES

- AT Antique Brass finish
- ME Matt Bronze finish
- SB Satin Brass finish
- PN Polished Nickel finish
- SN Satin Nickel finish
- PE Polished Brass finish
- PC Polished Chrome finish

Overview

| | | |
|--------------------------|--------------------------------------|--|
| 1 | 2 | 3 |
| Cabinet knob illustrated | (General dimensions of cabinet knob) | Supplied with: 2 x M4 (28mm length) 2 x M4 (40mm length) |


M Marcus Ltd., Dudley

Product Code

C-4465

Material

Solid Brass

Available in all Heritage Brass finishes.

Sizes shown are in mm and approximate. We reserve the right to amend where necessary and without any prior notice.