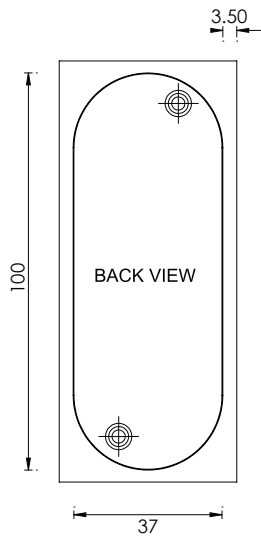
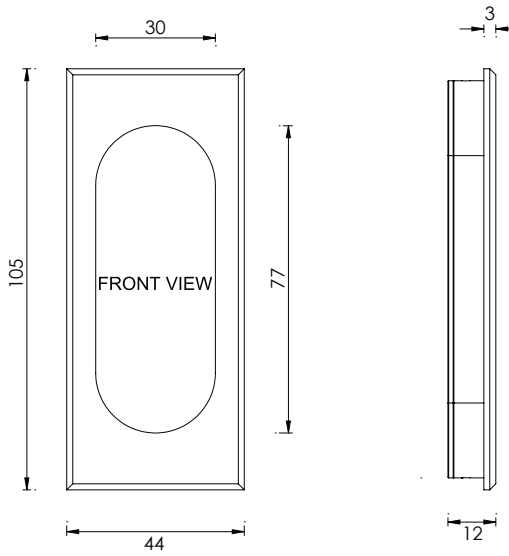
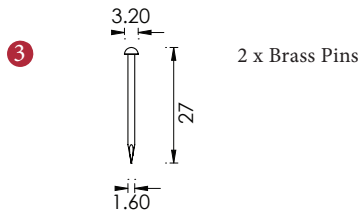


C1850 105 FLUSH PULL HANDLE



The recess measurement required to fit this item is taken from the back

2 Dimensions: see the outlines given above



2 x Brass Pins

FITTING

- 1 Position flush pull centrally to determine where to remove required recess for flush pull. This measurement is taken from the back view.
- 2 Remove just sufficient timber to create a recess for the back of the flush pull and which allows the plate to lie flat onto the surface of the door.
- 3 The door may dictate where the pull can be fitted, as general guide for fitting, the centre of the pull should be positioned approx. 1000mm from the floor, and this should be a suitable height for most people.

Note: The Pin fixing may also be supplemented by gluing, the suggested glue is polyurethane, particularly if the doors are in bathrooms or areas of high humidity as this type of glue is moisture resistant and bonds to Metal/Wood and most other building materials.

Overview

- 1 Flush Pull illustrated
- 2 (General dimensions of Flush Pull)
- 3 Supplied with: 2 x 27mm Brass Pins (pin on the inside of recessed handle as indicated above)

M Marcus Ltd., Dudley

Product Code	Material	Available in all Heritage Brass finishes.	Sizes shown are in mm and approximate. We reserve the right to amend where necessary and without any prior notice.
C1850 105	Solid Brass		