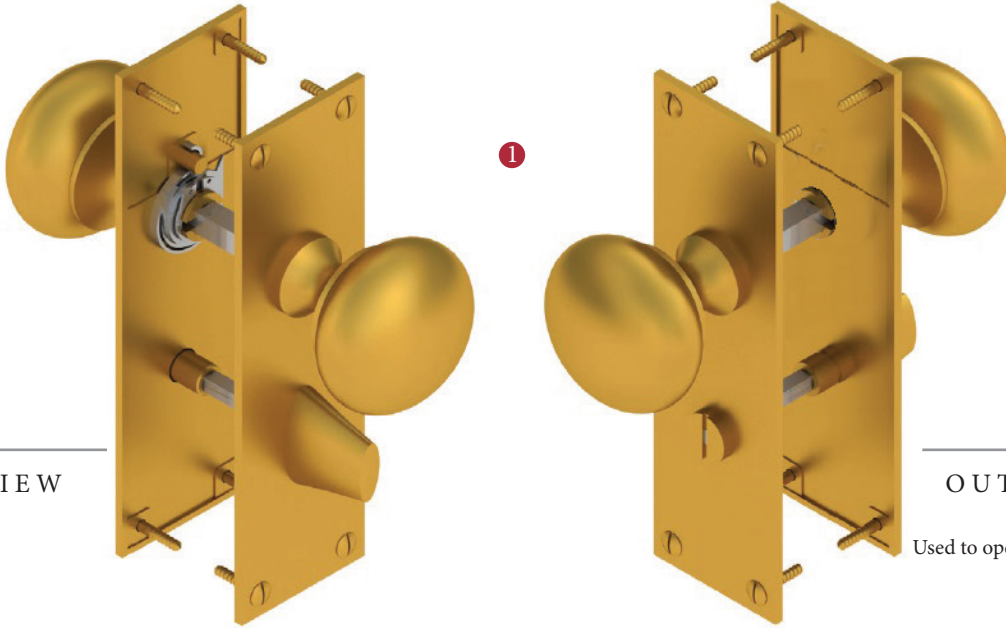


BALMORAL MORTICE KNOB ON PLATE WITH BATHROOM PRIVACY TURN - SPRUNG ON ONE SIDE

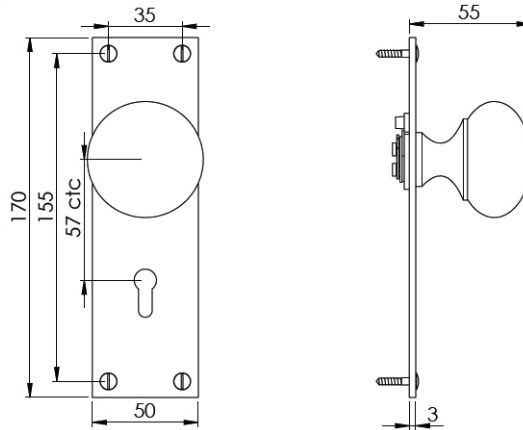


INSIDE VIEW

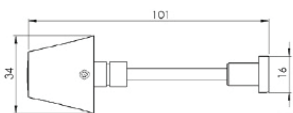
With thumbturn.

OUTSIDE VIEW

With slotted release.
Used to open door in emergency.



This bathroom handle is suitable for use with most U.K. bathroom locks with a 57mm CTC.
For a new door installation we would recommend using our York bathroom locks from the list below.



Thumbturn x 1pc.

2



4

2 mm Allen key :
Used to fasten thumbturn



Spindle : 7.8mm x 68mm - 1pc.

3

5



8x Brass wood Screws
Fasten the Brass Screws into the Pilot holes



Iron starter screw x 1pc.
Drill pilot holes, use the starter screw to cut a thread

BATHROOM LOCKS

(not Included, must be ordered seperately)

- YKBL3-AT 3" Antique Finish
- YKBL3-BLK 3" Black Finish
- YKBL3-MB 3" Matt Bronze Finish
- YKBL3-PB 3" Brass Finish
- YKBL3-PC&PN 3" Polished Chrome & Nickel Finish
- YKBL3-SB 3" Satin Brass Finish
- YKBL3-SN&SC 3" Satin Nickel & Chrome Finish

Box
Contains

1

Pair of mortice knobs

2

1x Thumbturn
& release

3

1x spindle
suitable for 35mm &
45 mm thick door

4

1x Allen key

5

8x Brass
wood screws
1x Iron screw

M Marcus Ltd., Dudley

Product Code

BAL8530

Material

Solid Brass

Available in all Heritage Brass finishes.

Sizes shown are in mm and approximate.
We reserve the right to amend where
necessary and without any prior notice.