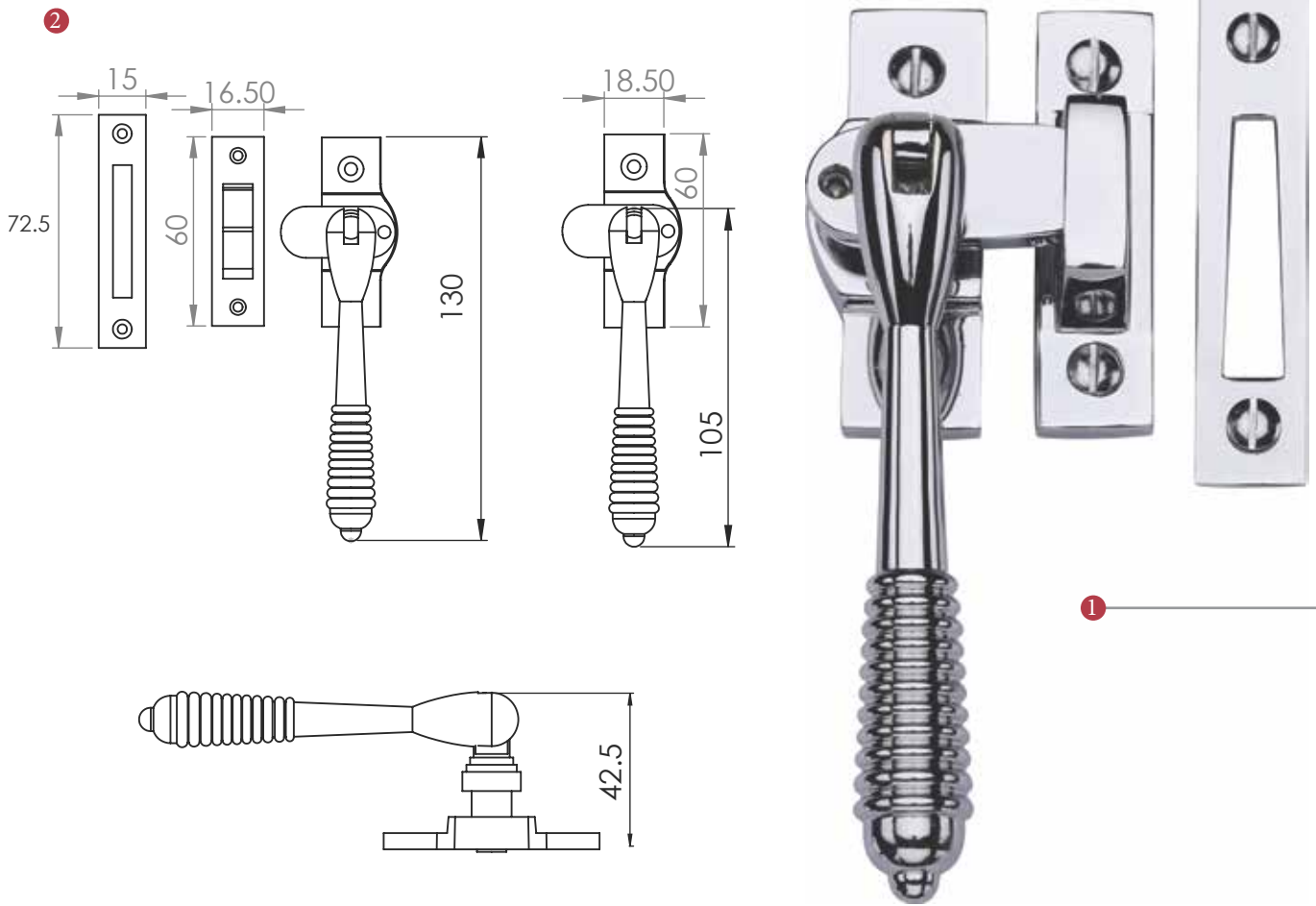
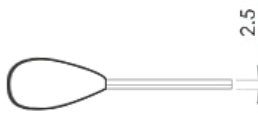
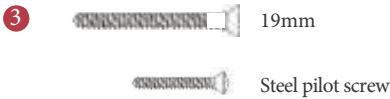


V894L MORTICE & HOOK PLATE CASEMENT FASTENER REEDED PATTERN (LOCKABLE)



② Dimensions: see the outlines given above



Overview

① Mortice & Hook Plate Ball Casement Fastener Lockable illustrated	② General Dimensions of Mortice & Hook Plate Casement Fastener	③ Supplied with: 1x Allen Key 4 x 19mm brass screws 1x Steel pilot screw
---	---	---

FINISHES

- ◆ ME Matt Bronze finish
- ◆ SB Satin Brass finish
- ◆ PN Polished Nickel finish
- ◆ SN Satin Nickel finish
- ◆ AT Antique Brass finish
- ◆ SC Satin Chrome finish
- ◆ PB Polished Brass finish
- ◆ PC Polished Chrome finish

M Marcus Ltd., Dudley

Product Code

V894L

Material

Solid Brass

Sizes shown are in mm and approximate. We reserve the right to amend where necessary and without any prior notice.