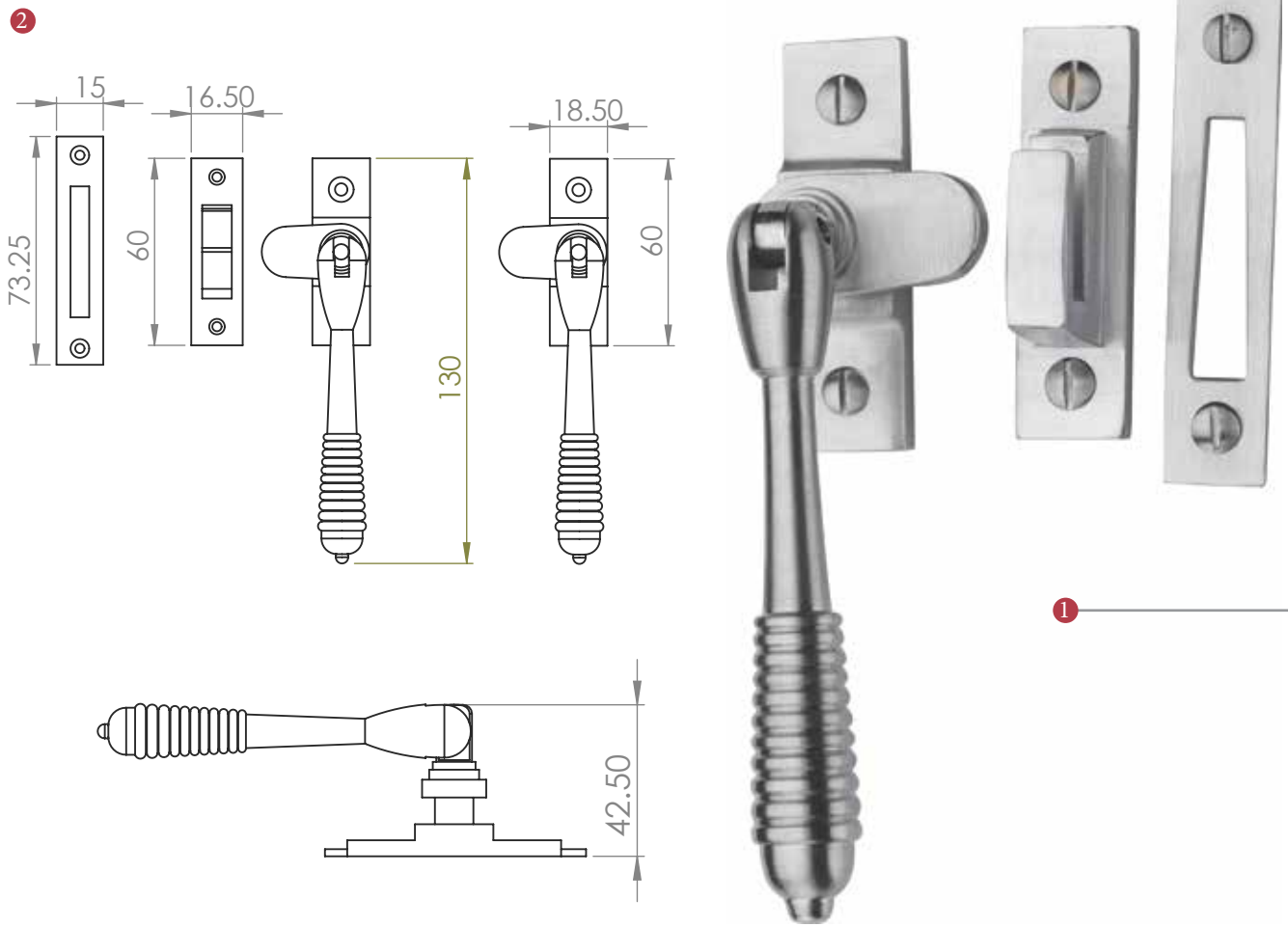
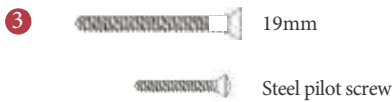


V894 MORTICE & HOOK PLATE CASEMENT FASTENER REEDED PATTERN



② Dimensions: see the outlines given above



FINISHES

- ME Matt Bronze finish
- SB Satin Brass finish
- PN Polished Nickel finish
- SN Satin Nickel finish
- AT Antique Brass finish
- SC Satin Chrome finish
- PB Polished Brass finish
- PC Polished Chrome finish

Overview	① Mortice & Hook Plate Ball Casement Fastener illustrated	② General Dimensions of Mortice & Hook Plate Casement Fastener	③ Supplied with: 4 x 19mm brass screws 1x Steel pilot screw
----------	---	--	---

 M Marcus Ltd., Dudley

Product Code	Material	Sizes shown are in mm and approximate. We reserve the right to amend where necessary and without any prior notice.
V894	Solid Brass	