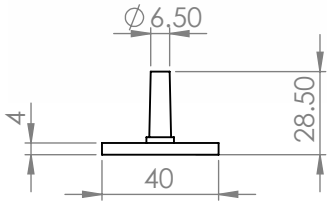
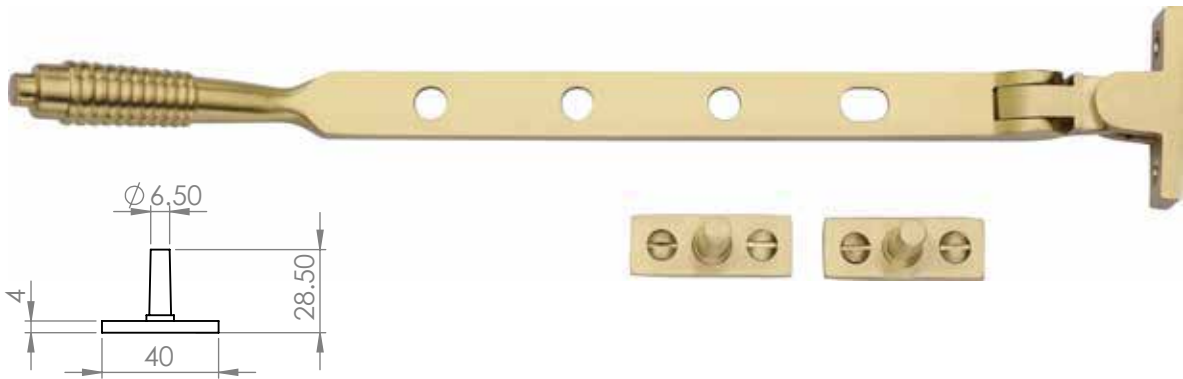
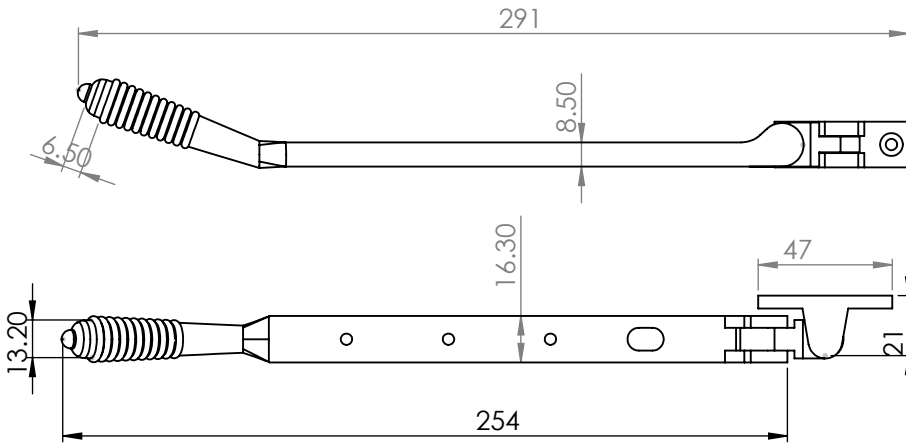


V892 10" REEDED CASEMENT STAY



2

1



2 Dimensions: see the outlines given above

3 25mm

FINISHES

- Matt Bronze finish
- Satin Brass finish
- Polished Nickel finish
- Satin Nickel finish
- Antique Brass finish
- Satin Chrome finish
- Polished Brass finish
- Polished Chrome finish

Overview	1 Reeded Casement Stay illustrated	2 General Dimensions of Casement Stay	3 Supplied with: 6x 25mm brass screws 1x Steel pilot screw
----------	------------------------------------	---------------------------------------	--

M Marcus Ltd., Dudley

Product Code	Material	Sizes shown are in mm and approximate. We reserve the right to amend where necessary and without any prior notice.
V892 10"	Solid Brass	