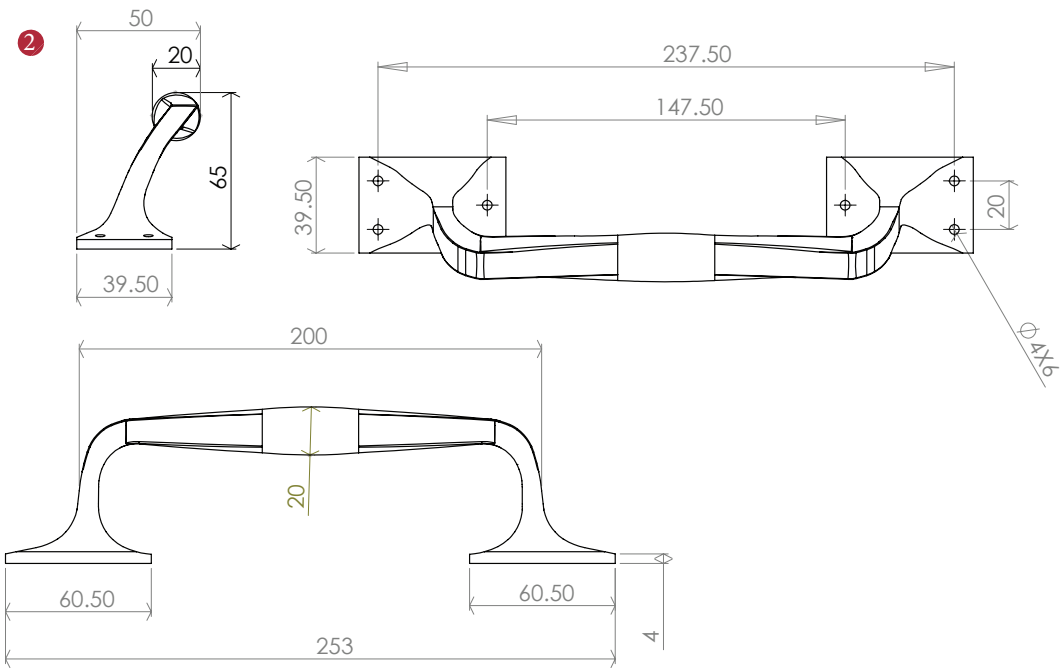




V1150 253 CRANKED PULL HANDLE



② Dimensions: see the outlines given above

③  6 x Brass Screws
 Steel pilot screw

FINISHES

-  Matt Bronze finish
-  Satin Brass finish
-  Satin Nickel finish
-  Antique Brass finish
-  Polished Brass finish
-  Polished Chrome finish

Overview	① Cranked Pull handle illustrated	② (General dimensions of pull handle)	③ Supplied with: 6 x 25mm [1"] Brass Screws 1x Steel pilot screw
-----------------	-----------------------------------	---------------------------------------	--


M Marcus Ltd., Dudley

Product Code	Material	Sizes shown are in mm and approximate. We reserve the right to amend where necessary and without any prior notice.
V1150 253	Solid Brass	