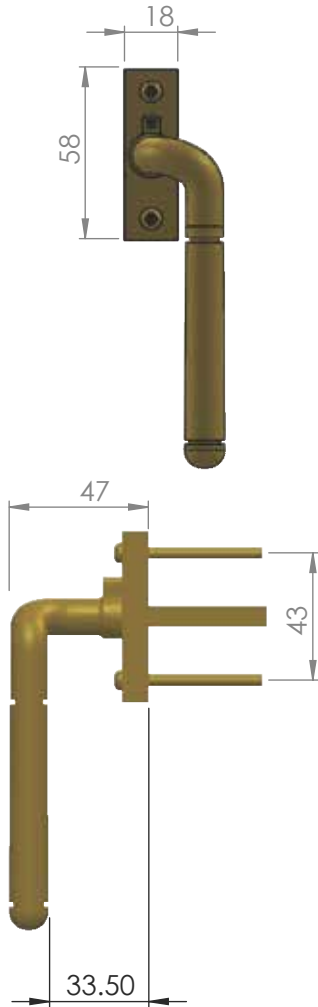


V1006L ESPAGNOLETTE HANDLE LOCKABLE

UVPC Replacement Handle

2



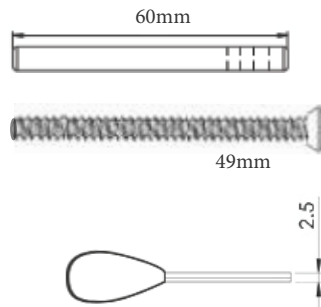
1

Available both LH & RH
Image shows Right-Handed

2

Dimensions:
see the outlines given above

3



FINISHES

- MB** Matt Bronze finish
- SB** Satin Brass finish
- PN** Polished Nickel finish
- SN** Satin Nickel finish
- AT** Antique Brass finish
- SC** Satin Chrome finish
- PB** Polished Brass finish
- PC** Polished Chrome finish

Overview

1

Espagnolette Handle
illustrated

2

General Dimensions
of Espagnolette
Handle

3

Supplied with: Spindle
2x threaded Allen bolt
1x Allen Key

M Marcus Ltd., Dudley

Product Code

V1006L LH
V1006L RH

Material

Solid Brass

Sizes shown are in mm and approximate.
We reserve the right to amend where
necessary and without any prior notice.