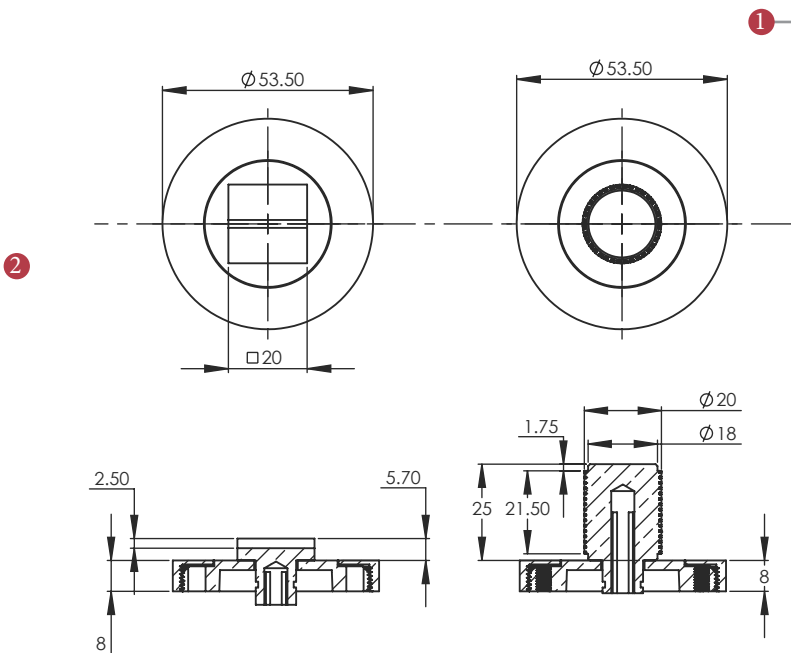
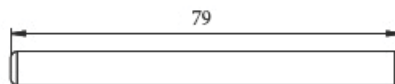
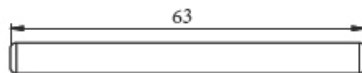


RS2030K ROUND KNURLED BATHROOM TURN & RELEASE



2 Dimensions: see the outlines given above

3 19mm



FINISHES

- MB** Matt Bronze finish
- SB** Satin Brass finish
- PN** Polished Nickel finish
- SN** Satin Nickel finish
- AT** Antique Brass finish
- PB** Polished Brass finish
- PC** Polished Chrome finish

Overview

1	Round Knurled Bathroom Turn & Release illustrated	2	General Dimensions of Round Knurled Bathroom Turn & Release	3	Supplied with: 8 x 19mm brass screws Spindle: 1 x 63x5mm & 1 x 79x5mm
---	---	---	---	---	---

M Marcus Ltd., Dudley

Product Code

RS2030K

Material

Solid Brass

Available in all Heritage Brass finishes.

Sizes shown are in mm and approximate. We reserve the right to amend where necessary and without any prior notice.