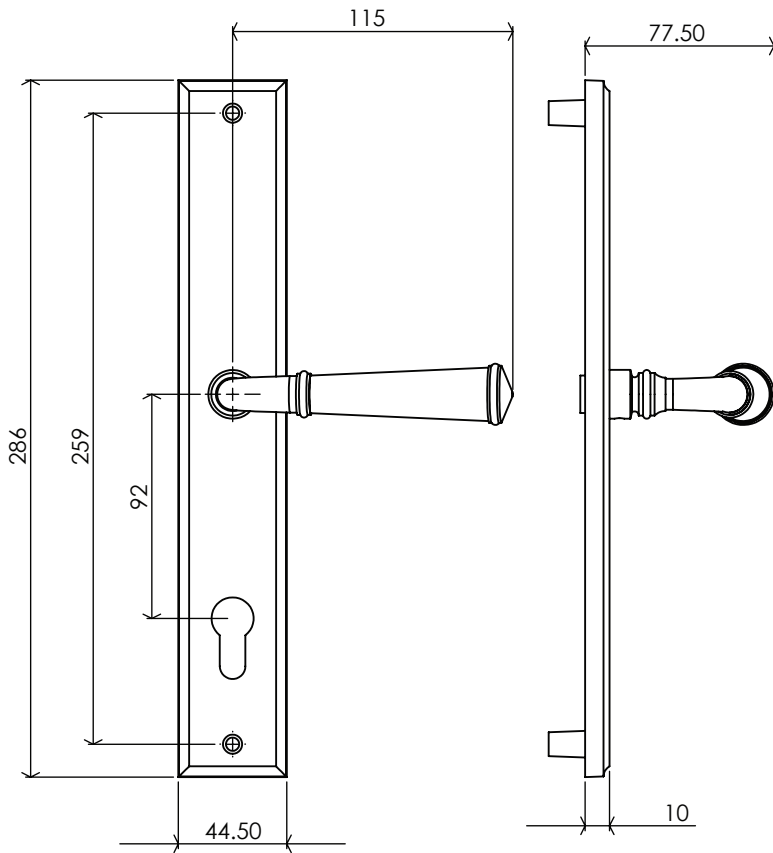
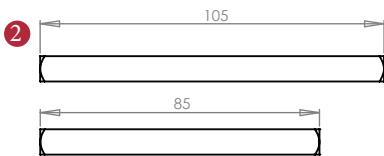


COLONIAL MULTI-POINT HANDLE

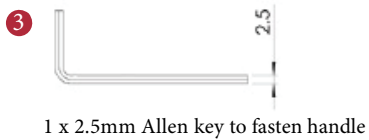


FINISHES

-  Matt Bronze finish
-  Satin Brass finish
-  Satin Nickel finish
-  Antique Brass finish
-  Satin Chrome finish
-  Polished Chrome finish



Spindle: 7.8mm x 85mm & 105mm 1 pc each
 85mm spindle suitable for 35 & 45mm door thickness
 & 105mm spindle suitable for 54mm door thickness.



1 x 2.5mm Allen key to fasten handle

2 x pc

2 x pc

Overview

- ① Multi-point dimensions illustrated
- ② 2 x Spindle. 1 each of: 85, & 105mm, x 7.8mm
- ③ Supplied with: 2.5mm Allen key, 2 x 65mm & 2 x 50mm threaded screw


M Marcus Ltd., Dudley

Product Code

MP1932

Material

Solid Brass

Sizes shown are in mm and approximate. We reserve the right to amend where necessary and without any prior notice.