

PANIC EXIT DEVICES

NO PANIC, NO BACTERIA, NO ADDITIONAL COST.

Anti
GERM



AntiGerm is an absolutely safe permanent antibacterial treatment which ISEO has decided to use on its range of Panic Exit Devices.

It is based on the slow and constant release of silver ions which penetrate the microbial organism and prevent its reproduction by attacking its DNA and finally inhibiting cellular respiration.

4.1 MILLION INFECTIONS IN EUROPEAN HOSPITALS

Infections in hospitals are often underestimated both from a medical and cultural point of view. Every year in Europe 4.1 million patients acquire an infection in hospitals.*

* Source: Sanità in Cifre, 23/02/2012

650+ BACTERIAL SPECIES

In a few minutes AntiGerm kills more than 650 viruses, molds, alga, mycosis and bacteria species (such as Legionella, Salmonella and MRSA) thanks to a continuous action 24 hours a day, 7 days a week
reducing bacteria levels by 99%



ANTIGERM CERTIFICATION



INDEX TO RANGES

presented by



m.marcus
est. 1940

ISEO has an ability to integrate Italian high design and technical innovation into a range of emergency exit devices that are setting new standards in both design and performance.

ISEO offers, without compromise, a wide range of emergency exit hardware devices together with a choice of superior finishes to compliment the appearance of any project.

ISEO emergency exit devices endure rigorous testing to achieve the performance and fire resistance requirements of either BS EN1125 or BS EN 179 emergency exit devices as applicable.

ISEO emergency exit devices can be installed to most door material types by adding the relevant additional components found within the accessories section of this catalogue.

Page:

38 - 43

44 - 47

48 - 51

52 - 63

64 - 67

68 - 75

76 - 77

78 - 82

83 - 90



Guild of
Architectural Ironmongers

ENVIRONMENTAL MANAGEMENT



Certificate No. FM 35735
ISO 9001:2008

QUALITY MANAGEMENT



Certificate No. EMS 572656
ISO 14001:2004



UK RANGE



PULLMAN RANGE



TOUCH RANGE



ENDURANCE RANGE



INOX RANGE



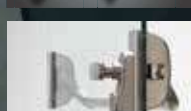
TRIM ACCESS DEVICES



PUSH SIRENA



PANIC HARDWARE ACCESSORIES



BELVEDERE FOR GLASS DOORS

Applicable
where you see
these symbols



For use on
fire doors



For use on
escape doors



**CERTIFICATE OF APPROVAL
NO CF 5233**

Product certifications



OUR STANDARDS.

THE NEW 2008 EN179:2008 STANDARDS FOR PANIC EXIT & EMERGENCY DEVICES

The new standards do not oblige ISEO to introduce any further changes to its products, as they are already designed in total compliance with the new regulations which have been effective since January 1, 2009.

Dealers will be allowed to sell the products marked according to the old standards until stock exhaustion, without time limits.

ISEO dealers know they are selling products which fully complied with the standards before January 1, 2009, and for which only the mark has been changed.

The new certificates also show compliance of products with the previous mark.



Our products have also obtained the ICIM "P" voluntary certification which provides for further external testing to assert product quality.

Warning

The field of application of these panic exit devices is limited to the following:

Maximum door mass	Maximum door height	Maximum door width	Temperature interval
200 Kg	2520 mm	1320 mm	-10°C +60°C

The limits indicated above are identified by EN1125 standard. ISEO Serrature declares that the performances of the devices and their accessories are in compliance with the requirements of the standard, for doors with mass max. 200 kg, height max. 3400 mm and width max. 1500 mm.

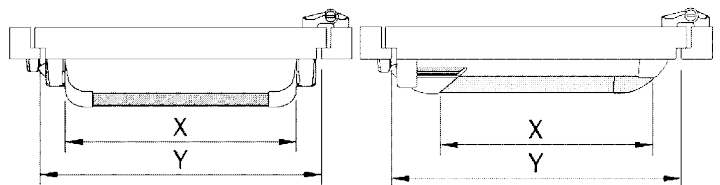


Fig. 1

Fig. 1

The effective length (dimension X) of the bar shall be as near as possible to the effective width (dimension Y) of the door for which the device is intended, but never less than 60% (Fig.1)

The door leaves and frames must be made of a material with sufficient rigidity to ensure that any distortions that occur during use can not exceed 5 mm in any position. The device must be fitted to the door leaf using materials that guarantee a tensile strength for each screw of >1,5KN.

Products certifications

Iseo Serrature has been awarded by Warrington Certification Limited (WCL) the certificate of conformity with EN 1125:08 standard allowing to apply the CE mark on panic exit devices, compulsory from 01/04/2003.

ISEO panic exit devices have already obtained the Voluntary Product Certification by an independent organisation, ICIM, as provided for in EN 1125:08.

The ICIM voluntary certification establishes stricter requirements than the CE mark.

All the updated certificates can be downloaded from our web site: www.m-marcus.com

How to read the marking **EN 1125:2008**

Not suitable for fire/smoke doors	3	7	6	0	1	4	2	2	A	A
Suitable for fire/smoke doors	3	7	6	B	1	4	2	2	A	A
	Category of use	Durability	Test door mass	Suitability for use on fire/smoke resistant doors	Safety	Corrosion resistance	Security	Projection of device	Type of bar operation	Field of application
	1	2	3	4	5	6	7	8	9	10



Category of use.

There is only one category which refers to a high frequency of use where there is little incentive to exercise care, i. e. where there is a chance of an accident and misuse.

Durability.

There are two grades of durability.
 grade 6 = 100,000 operations
 grade 7 = 200,000 operations

Test door mass.

There are three door mass categories:
 grade 5 = up to 100 kg
 grade 6 = up to 200 kg
 grade 7 = over 200 kg

Suitability for use on fire/smoke resistant doors.

Three fire/smoke resistance categories:
 grade 0 = not suitable for fire/smoke resistant doors
 grade A = suitable for smoke resistant doors
 grade B = suitable for fire/smoke resistant doors

Safety.

There is only one category representing the maximum grade, since panic exit devices must ensure people's safety.

Corrosion resistance.

There are two categories as per prEN1670:
 grade 3 = 96 h (high resistance)
 grade 4 = 240 h (very high resistance)

Security.

Only one grade of security shall be used: the security requirements are secondary to those of safety.

Projection of device.

There are two categories:
 grade 1 = bar projection up to mm 150 (large projection)
 grade 2 = bar projection up to mm 100 (standard projection)

Type of bar operation.

There are two types of operations:
 A = panic exit device with "push-bar" operation
 B = panic exit device with "touch-bar" operation (Push-Bar)

Field of application.

There are three categories:
 A = single door, double door: active or inactive leaf
 B = single door only
 C = double door, inactive leaf only

For further information please refer to **EN1125:97+ A1:2001 standard.**



ISEO
MADE IN ITALY
Anti
GERM

ISEO
MADE IN ITALY
CE

UK RANGE

EMERGENCY EXIT DEVICE

Features

- CE marked
- Simple to install
- Easily reversible
- High usage - tested to 200,000 cycles
- Aesthetically pleasing design
- Rounded edges for safe usage
- Suitable for most door types
- Outside access device to be ordered separately

Classification

EN 1125:2008

3	7	6	B	1	4	2	2	B	A
---	---	---	---	---	---	---	---	---	---

EN 179:2008

3	7	6	A	1	4	4	2	A	B
---	---	---	---	---	---	---	---	---	---



For use on
escape doors





LATERAL FIXING



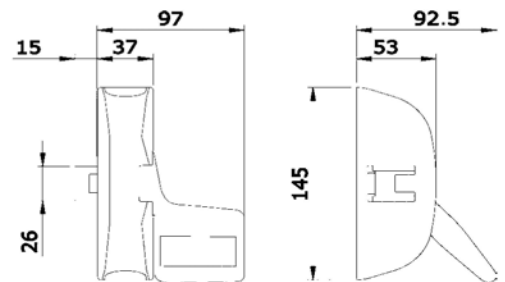
Push Pad Latch Emergency Exit Device

Ref: **IS946-1000705**

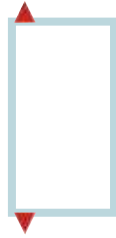
Finish: **Grey**

UK RANGE

- For use on single doors
- Suitable for most door types in accordance with EN179:2008
- Operated by means of push pad



Standard
EN 179:2008
(see explanation opposite)



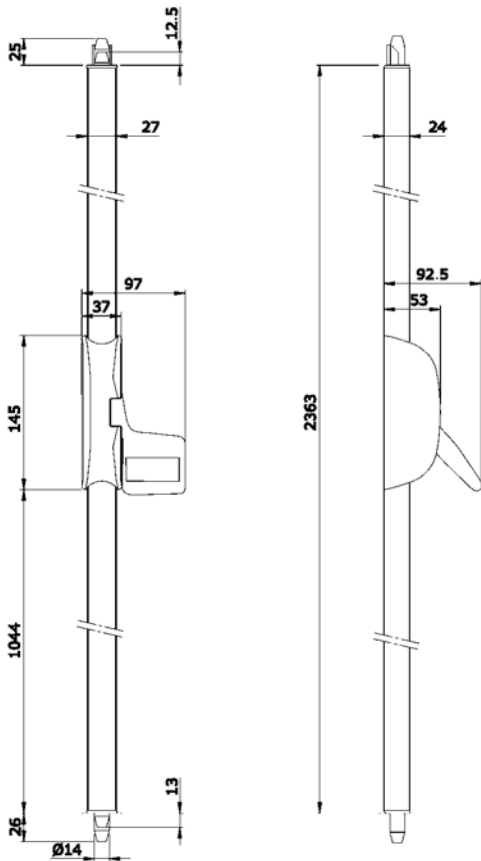
VERTICAL 2 POINT FIXING

Push Pad Bolt Emergency Exit Device

Ref: **IS947-2020704**

Finish: **Grey**

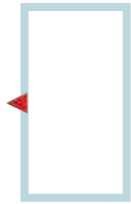
- For use on single doors
- Suitable for most door types in accordance with EN179:2008
- Rods and Covers to a maximum door height of 2400mm
- Operated by means of push pad
- Non-rebated double doors



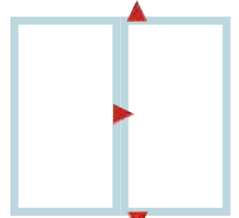
Standard

EN 179:2008

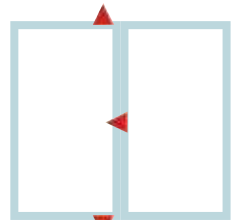
Emergency exit devices in compliance with standard EN 179 are conceived to be used where there is a very low probability for panic situations to happen, people are aware of the use of the emergency exit device and qualified for it. The aim of the standard requirements is mainly to ensure a reliable and safe evacuation through a door making use of the minimum effort, even though a prior knowledge of the door device might be necessary.



LATERAL FIXING



LATERAL/VERTICAL FIXING



LATERAL/VERTICAL FIXING

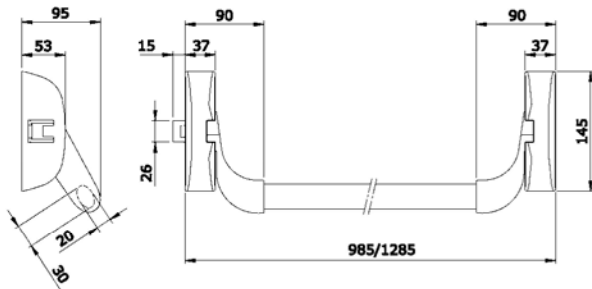


Reversible Panic Latch Emergency Exit Device

Ref: **IS941-1083775**

Finish: **Grey**

- For use on single doors, or as active leaf on double rebated door sets (See IS943-5083335 right)
- Bar supplied is 840 mm in width, For wider doors add bar IS945-923 (up to 1130 mm)
- Pre-set for manual hold open device
- Pre-set for micro switch
- EN-1125:2008



Rebated Double Door Package Emergency Exit Device

Ref: **IS943-5083775**

Finish: **Grey**

- For use on rebated door sets.
- For specifics refer to page 5
- EN-1125:2008





VERTICAL 2 POINT FIXING

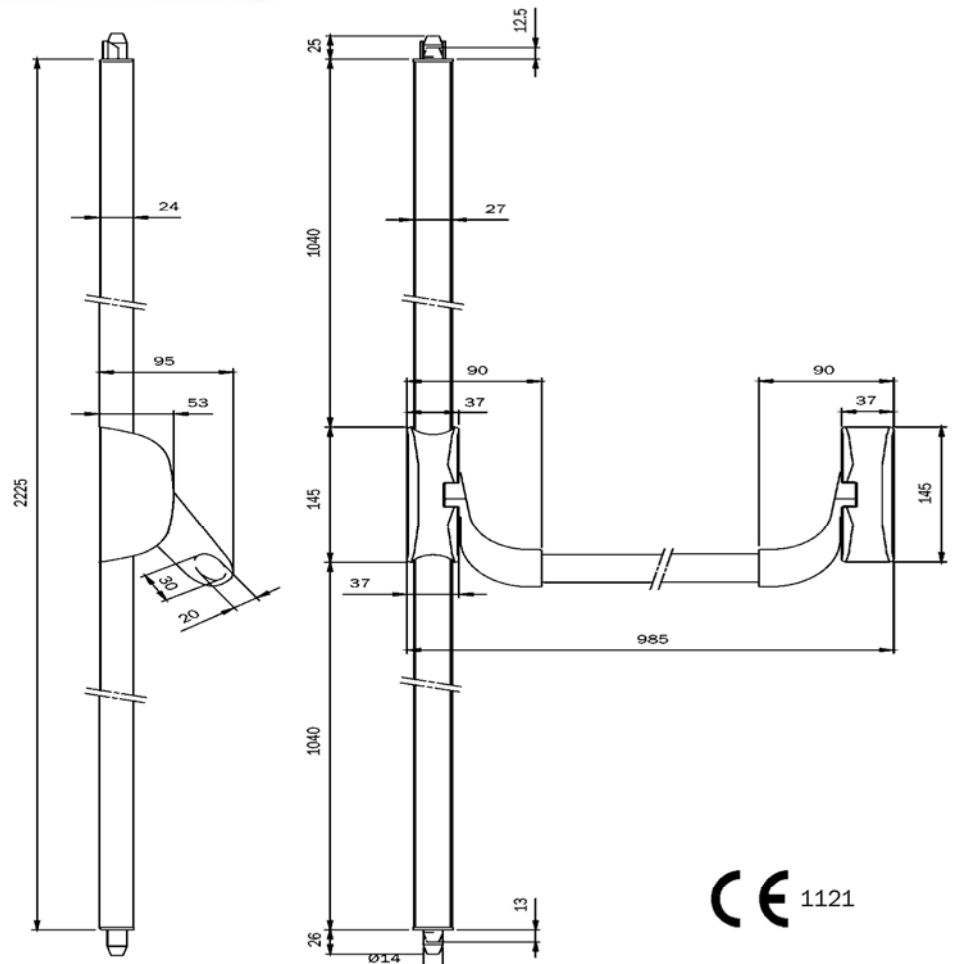


Vertical Panic Bolt Emergency Exit Device

Ref: **IS943-2083774**

Finish: **Grey**

- For use on single doors, or as passive leaf on double rebated door sets (See IS943-5083335 right)
- Bar supplied is 840mm in width, For wider doors add bar IS945-923 (up to 1130mm)
- Suitable for doors up to 2225mm high, for taller doors add rods and covers set, IS943-00303 (up to 3400mm)
- Anti - thrust
- 2 point locking for higher security
- Pre-set for manual hold open device
- Pre-set for micro switch
- EN-1125:2008







PULLMAN RANGE

EMERGENCY EXIT DEVICE

Features

- Anti – thrust
- Pre-set for manual hold open device
- Easily reversible
- Simple to install
- Pre-set for micro switch
- Attractive aesthetic design
- Rounded edges for safer usage
- No exposed moving parts
- Compatible with any ISEO external access device ORDERED SEPARATELY

Classification

EN 1125:2008

3	7	6	B	1	4	2	2	B	A
---	---	---	---	---	---	---	---	---	---

EN 179:2008

3	7	6	A	1	4	4	2	A	B
---	---	---	---	---	---	---	---	---	---



For use on
fire doors



For use on
escape doors





LATERAL FIXING



LATERAL TOP/MIDDLE/BOTTOM FIX

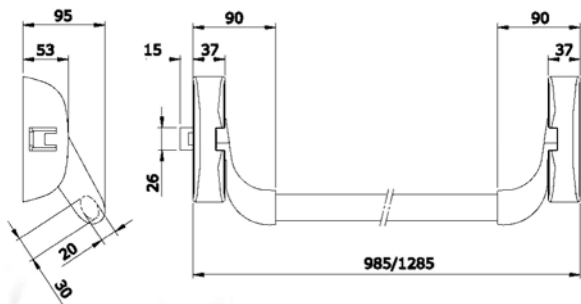


Single Panic Latch Emergency Exit Device

Ref: **IS941-4113774**

Finish: **Grey**

- For use on single doors,
or as active leaf on double rebated door sets
- EN-1125:2008



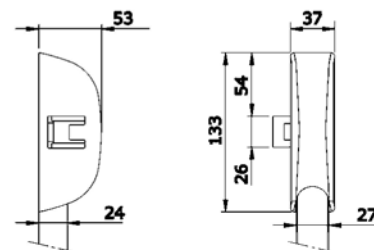
3 Point Lateral Side Latching Emergency Exit Device

Ref: **IS941-6113774**

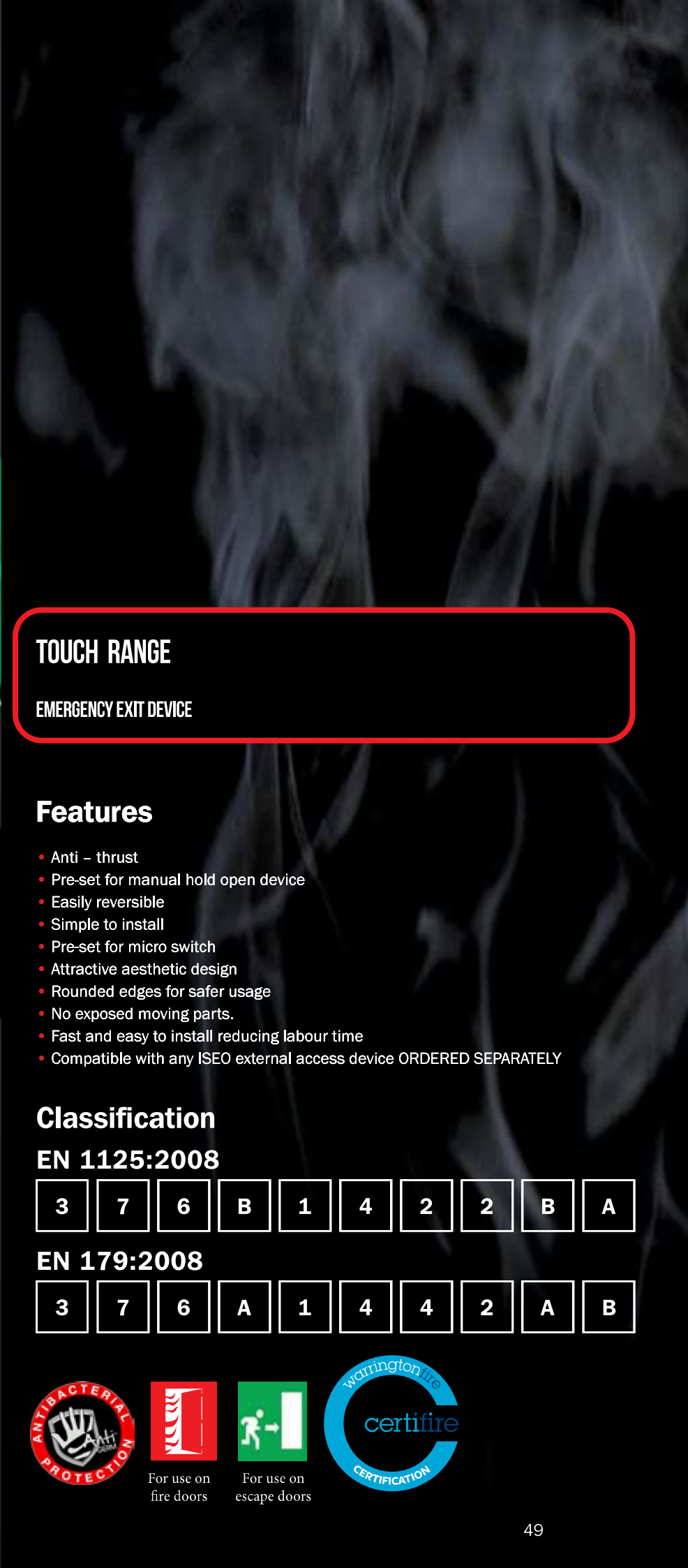
Finish: **Grey**

**Dimensions as Diagram 1 except side latching
top and bottom (see Diagram 2)**

- For use on single doors only
- Suitable for doors up to 2256mm in height
for taller doors add rods and covers set
IS941-00303 (up to 3400mm)
- EN-1125:2008







TOUCH RANGE

EMERGENCY EXIT DEVICE

Features

- Anti - thrust
- Pre-set for manual hold open device
- Easily reversible
- Simple to install
- Pre-set for micro switch
- Attractive aesthetic design
- Rounded edges for safer usage
- No exposed moving parts.
- Fast and easy to install reducing labour time
- Compatible with any ISEO external access device ORDERED SEPARATELY

Classification

EN 1125:2008

3	7	6	B	1	4	2	2	B	A
---	---	---	---	---	---	---	---	---	---

EN 179:2008

3	7	6	A	1	4	4	2	A	B
---	---	---	---	---	---	---	---	---	---



For use on
fire doors



For use on
escape doors





LATERAL FIXING



LATERAL TOP/MIDDLE/BOTTOM FIX

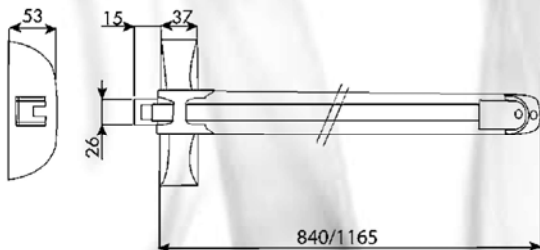


Single Panic Latch

Ref: **IS942-41175VT**

Finish: **BLACK/GREEN**

- For use on single doors, or as active leaf on double rebated door sets.
- Bar supplied at 1165mm width, can be shortened to 330mm
- EN-1125:2008



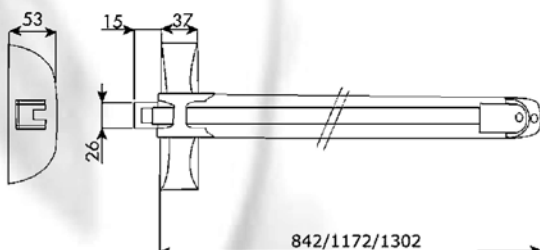
Single Panic Latch

Ref: **IS942-413058T**

Finish: **Black/Red**



- For use on single doors, or as active leaf on double rebated door sets.
- Bar supplied at 1300mm width, can be shortened to 330mm
- EN-1125:2008



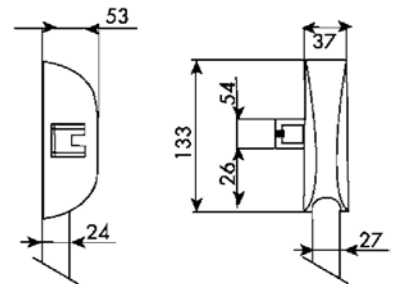
3 Point Lateral Side Latching Emergency Exit Device

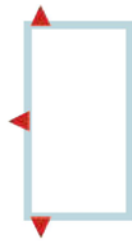
Ref: **IS942-60845VT**

Finish: **Black/Green**

Dimensions as Diagram 1 except side latching top and bottom (see Diagram 2)

- For use on single doors only
- Bar supplied at 840mm width, can be shortened to 330mm
- Suitable for doors up to 2245mm in height, for taller doors add rods and covers set, IS941-00305 (up to 3400mm)
- EN-1125:2008

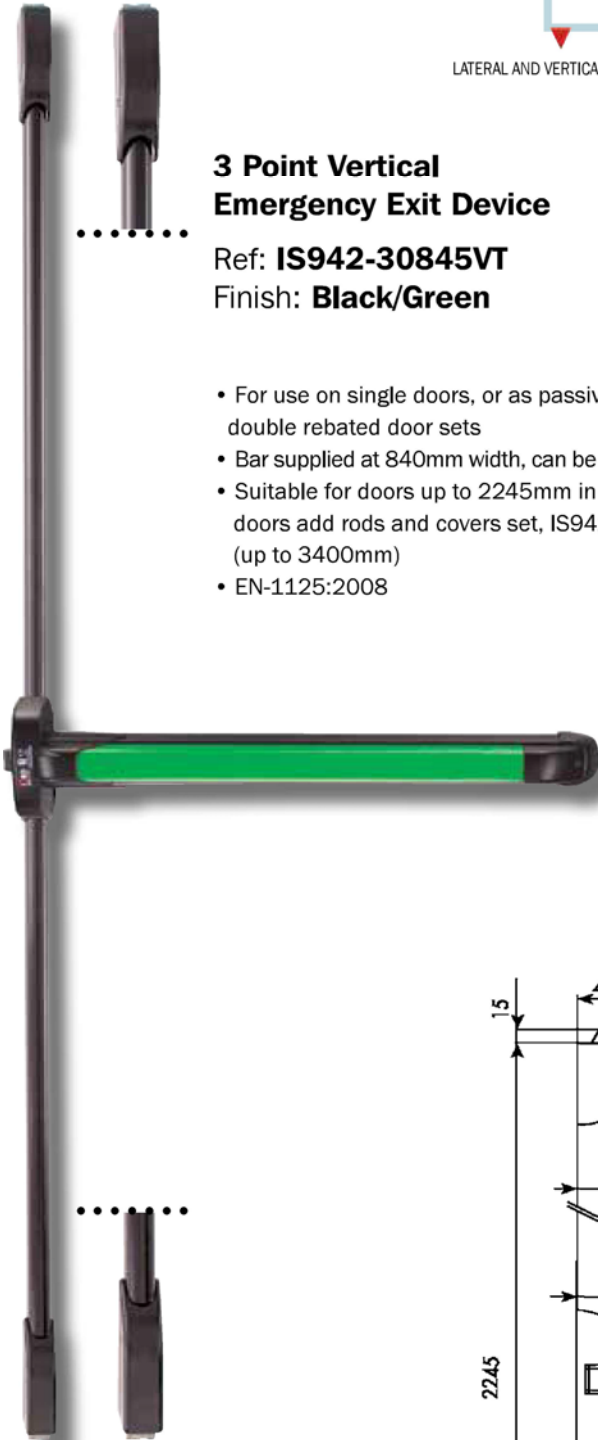




LATERAL AND VERTICAL FIXING



VERTICAL 2 POINT FIXING

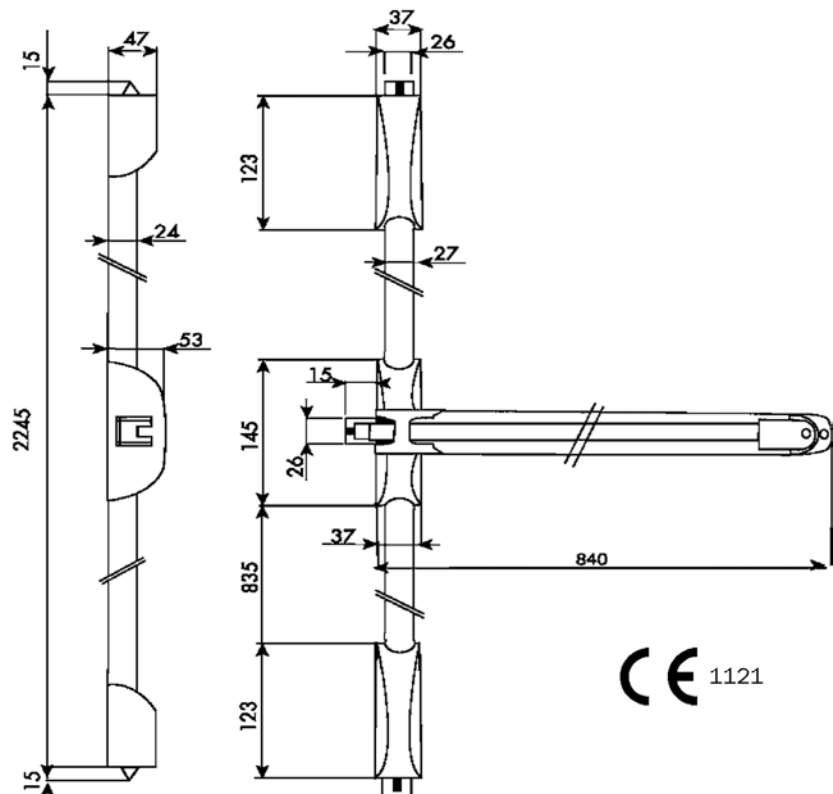


3 Point Vertical Emergency Exit Device

Ref: **IS942-30845VT**

Finish: **Black/Green**

- For use on single doors, or as passive leaf on double rebated door sets
- Bar supplied at 840mm width, can be shortened to 330mm
- Suitable for doors up to 2245mm in height, for taller doors add rods and covers set, IS941-00305 (up to 3400mm)
- EN-1125:2008





The **ENDUR4NCE** finish combined with the **ANTIGERM** antibacterial treatment makes ISEO panic exit devices ideal for installation in particularly corrosive environmental conditions, in public facilities and for all applications where hygiene and safeguarding health are fundamental prerequisites, such as: hospitals, clinics, nursing homes, crèches and nursery schools.

The superior corrosion resistance of the visible components of ISEO rim type panic exit devices is matched by the latches in stainless steel, while the self-locking systems on all latches increases burglary resistance.

ENDUR4NCE RANGE

EMERGENCY EXIT DEVICE

Features

ENDUR4NCE has been developed in response to the need to give panic exit devices a durable surface finish. Conceived by ISEO, this finish has an attractive metal-like appearance and is extremely hard-wearing.

The ENDUR4NCE finish is applied in a 3-step process:

- With a CROMITATE PRIMER layer
- An initial layer of powder coat paint
- A second coat of liquid based paint combined with the ANTIGERM permanent antibacterial treatment

In-house testing conducted in compliance with the standard UNI EN 1670 demonstrate the excellent performance of this finish, which resists up to 1000 hours of neutral salt spray (NSS) corrosion testing.

Classification

EN 1125:2008

3	7	6	B	1	4	2	2	A	A
---	---	---	---	---	---	---	---	---	---

EN 179:2008

3	7	6	A	1	4	4	2	A	B
---	---	---	---	---	---	---	---	---	---



For use on fire doors



For use on escape doors





TOUCH

AVAILABLE FOR:

- TOUCH
- PULLMAN



PULLMAN

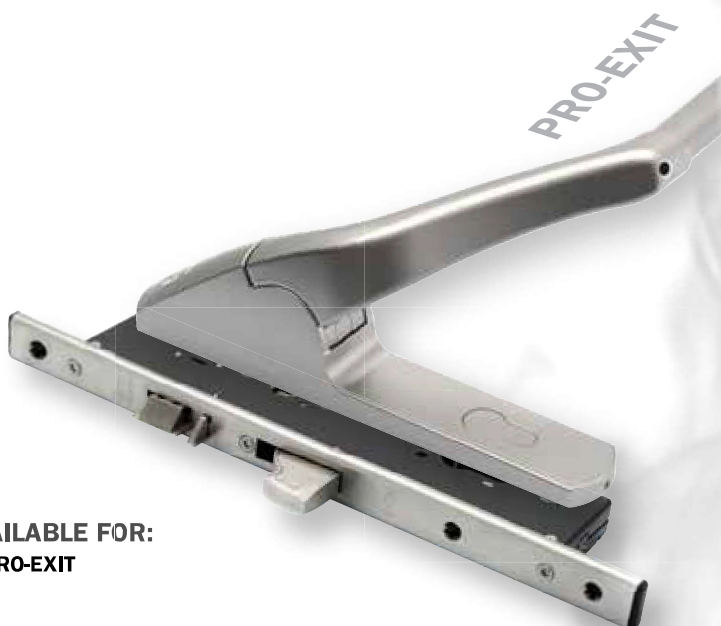
ENDUR4NCE
RIM TYPE

ISEO presents ENDUR4NCE, a new highly durable finish **available for both Push and Touch versions of ISEO panic exit devices.**

ENDUR4NCE is enriched by the AntiGerm* treatment. The long-lasting anti-bacterial action of this treatment ensures all-round safety and protection in any environment.

The ISEO range of rim type panic exit devices is modular and includes versions with one, two or three latching points.

All ISEO panic devices are conceived, designed and manufactured in **Italy**: offering yet another guarantee of superlative quality.



PRO-EXIT

AVAILABLE FOR:

- PRO-EXIT

ENDUR4NCE
MORTICE TYPE EASY EXIT-EMOTION EXIT

Panic exit devices with the ENDUR4NCE finish may be used with the mechanical and electromechanical automatic locks of the Multiblindo Exit** range. This means that the durability, resilience and elegance of ENDUR4NCE is combined with the security guaranteed by the locks, in a single ISEO system.

** See Multiblindo brochure for more information.

ENDUR4NCE

FIRE RESISTANT MORTICE TYPE

ENDUR4NCE is synonymous with durability, even in particularly corrosive environmental conditions and in high traffic locations.

ENDUR4NCE also stands for strength and elegance. Installing panic exit devices with this new finish lends a touch of harmony and style to any environment, even the most elegant.

The distinctive visual appearance of this finish also contributes to accentuating the sense of robustness and safety of the door itself.



AVAILABLE FOR:

- INFILARE
- TOUCH INFILARE
- PALMO



Code

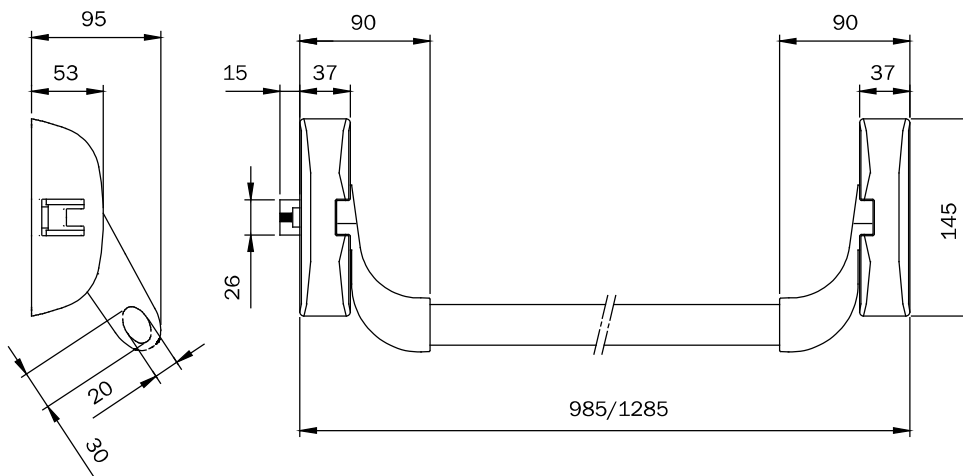
Retail Price



PULLMAN ENDUR4NCE



* Central Bar to be ordered separately. See page 61 (opposite) - Item **IS945-92R** (or **-93R**)



ENDUR4NCE Exit modular central mechanism

IS941-4000R04

YES

Before installation on fire/smoke resistant doors, please check the compatibility of the accessories.



Code

Retail Price

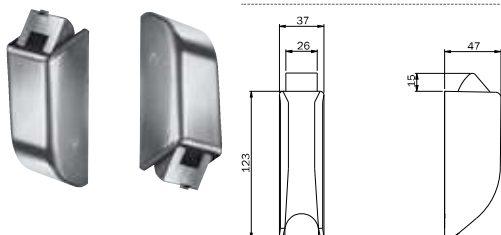


Accessories ENDUR4NCE finish

Pair of latches with **ENDUR4NCE** finish for **PULLMAN** and **TOUCH** panic exit devices. Top/bottom vertical locking. Self-locking stainless steel latch suitable for fire resistant doors. Supplied with keeps. Fixing screws.

IS941-0201R04

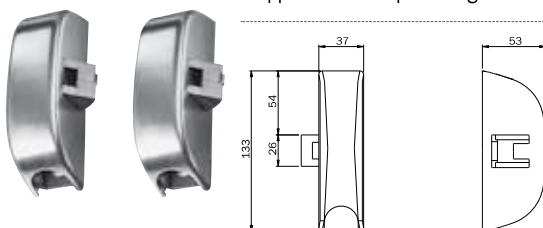
YES



Pair of latches with **ENDUR4NCE** finish for **PULLMAN** and **TOUCH** panic exit devices. Vertical locking. Self-locking stainless steel latch suitable for fire resistant doors. Supplied with keeps. Fixing screws.

IS941-0203R04

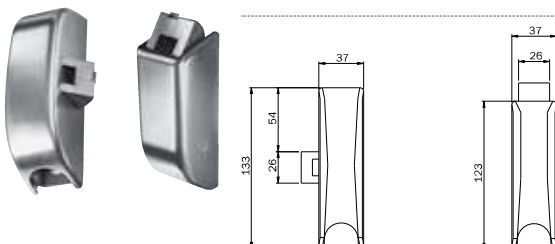
YES



Pair of latches with **ENDUR4NCE** finish for **PULLMAN** and **TOUCH** panic exit devices. Vertical locking. Self-locking stainless steel latch suitable for fire resistant doors. Supplied with keeps. Fixing screws.

IS941-0204R04

YES



ENDUR4NCE finish rods and covers for **PULLMAN** and **TOUCH**.

One keep for two wings, without spacers. **Cap for pushbar lateral latch.**



For doors with maximum height 2400mm

IS941-0020R

YES

For doors with maximum height 3400mm

IS941-0030R

YES

ENDUR4NCE finish horizontal oval bar for exit devices **PULLMAN** only.

Length 1130mm

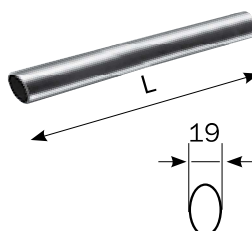
IS945-92R

YES

Length 1330mm

IS945-93R

YES



PULLMAN ENDUR4NCE : application scheme for single leaf doors

IS941-4000R04	●	●	●	●	●	●	●	
IS941-0201R04		●			●			
IS941-0204R04				●			●	
IS941-0203R04			●			●		
IS945-92R L IS945-93R L	* ●	* ●	* ●	* ●	* ●	* ●	* ●	
IS941-0020R IS941-0030R		* ●	* ●	* ●	* ●	* ●	* ●	
IS-568000R	○		○ ○	○ ○		○ ○ ○		
IS940-1100RT IS940-2100RT	* ○	* ○	* ○	* ○	* ○	* ○	* ○	
IS940-9130RE								
IS941-00060	○	○	○	○	○	○	○	
IS941-00070	○	○	○	○	○	○	○	

- = Necessary items (●● = 2 pcs, ●●● = 3 pcs)
- * = Choose one item only
- = Optional items (○○ = 2 pcs, ○○○ = 3 pcs)

PULLMAN ENDUR4NCE : application scheme for double doors

IS941-4000R04	● ●	● ●	● ●	● ●
IS941-0201R04	●	●	●	● ●
IS941-0204R04				
IS941-0203R04		●	●	
IS945-92R L IS945-93R L	* ● ●	* ● ●	* ● ●	* ● ●
IS941-0020R IS941-0030R	* ●	* ● ●	* ● ●	* ● ●
IS-56800R	△	△ △	△ △ △	
IS940-1100RT IS940-2100RT	* ○	* ○	* ○	* ○
IS940-9130RE				
IS941-00060	○ ○	○ ○	○ ○	○ ○
IS941-00070	○ ○	○ ○	○ ○	○ ○

● = Necessary items (● ● = 2 pcs, ● ● ● = 3 pcs)

* = Choose one item only

○ = Optional items (○ ○ = 2 pcs, ○ ○ ○ = 3 pcs)

△ = The type of installation depends on the door frame

(△ △ = 2 pcs, △ △ △ = 3 pcs)

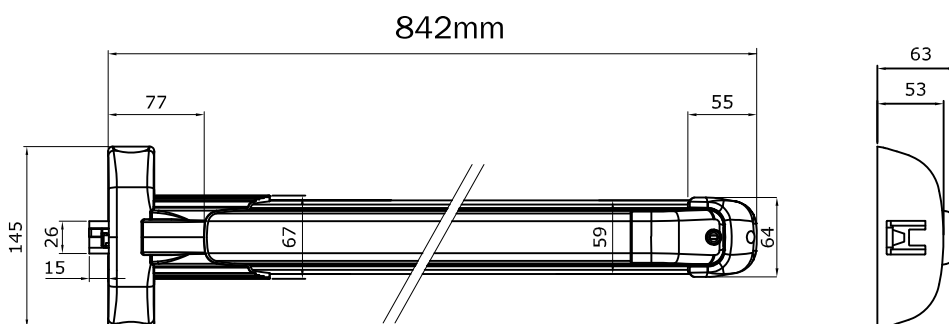


Code

Retail Price



TOUCH ENDUR4NCE



Modular **TOUCH** Bar **842mm**

IS942-4084RRT

YES

WHITE AND METAL GREY ON REQUEST

Before installation on fire/smoke resistant doors, please check the compatibility of the accessories.



Ext TRIM lever **ENDUR4NCE** F5

IS940-1100RT

YES

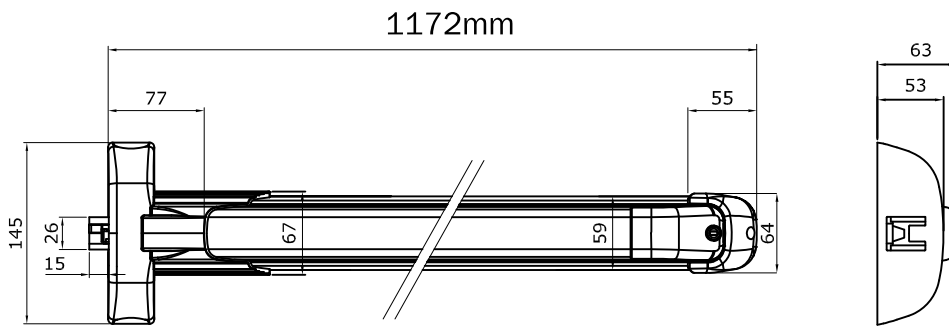


Code

Retail Price



TOUCH ENDUR4NCE



Modular **TOUCH** Bar **1172mm**

IS942-4117RRT

YES

WHITE AND METAL GREY ON REQUEST

Before installation on fire/smoke resistant doors, please check the compatibility of the accessories.



Ext TRIM lever **ENDUR4NCE** F5

IS940-1100RT

YES

TOUCH ENDUR4NCE : application scheme for single leaf doors

IS942-***RRT	●	●	●	●	●	●	●	
IS941-0201R04		●			●			
IS941-0204R04				●			●	
IS941-0203R04			●			●		
IS941-0020R IS941-0030R		* ●	* ●	* ●	* ●	* ●	* ●	
IS940-1100RT IS940-2100R	* ○	* ○	* ○	* ○	* ○	* ○	* ○	
IS940-9130RE								
IS-568000R	○		○ ○	○ ○		○ ○ ○	○ ○ ○	
IS942-00060	○	○	○	○	○	○	○	
IS941-00040	○	○	○	○	○	○	○	
IS941-00050		○ ○	○ ○	○ ○	○ ○	○ ○	○ ○	

● = Necessary items (● ● = 2 pcs, ● ● ● = 3 pcs)

* = Choose one item only

○ = Optional items (○ ○ = 2 pcs, ○ ○ ○ = 3 pcs)

TOUCH ENDUR4NCE : application scheme for double doors

IS942-***RRT	● ●	● ●	● ●	● ●
IS941-0201R04	●	●	●	● ●
IS941-0204R04				
IS941-0203R04		●	●	
IS941-0020R IS941-0030R	* ●	* ● ●	* ● ●	* ● ●
IS940-1100RT IS940-2100R	* ○	* ○	* ○	* ○
IS940-9130RE				
IS-568000R	△	△△	△△△	
IS942-00060	○ ○	○ ○	○ ○	○ ○
IS941-00040	○ ○	○ ○	○ ○	○ ○
IS941-00050	○ ○	○ ○ ○ ○	○ ○ ○ ○	○ ○ ○ ○

● = Necessary items (● ● = 2 pcs, ● ● ● = 3 pcs)

* = Choose one item only

○ = Optional items (○ ○ = 2 pcs, ○ ○ ○ = 3 pcs)

△ = The type of installation depends on the door frame

(△ △ = 2 pcs, △ △ △ = 3 pcs)



INOX RANGE

STAINLESS STEEL P.V.D. FINISH

Features

- Aisi Grade 304 Stainless Steel bar with P.V.D. coating
- 10 year finish guarantee
- Ideal for areas with high humidity
- Easily reversible
- Simple to install
- High usage - tested to 200,000 cycles
- Aesthetically pleasing design
- Rounded edges for safe usage
- Compatible with any ISEO external access device ORDERED SEPARATELY

Classification

EN 1125:2008

3	7	6	B	1	4	2	2	B	A
---	---	---	---	---	---	---	---	---	---

EN 179:2008

3	7	6	A	1	4	4	2	A	B
---	---	---	---	---	---	---	---	---	---

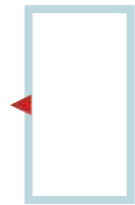


For use on
fire doors



For use on
escape doors





LATERAL FIXING



LATERAL TOP/MIDDLE/BOTTOM FIX

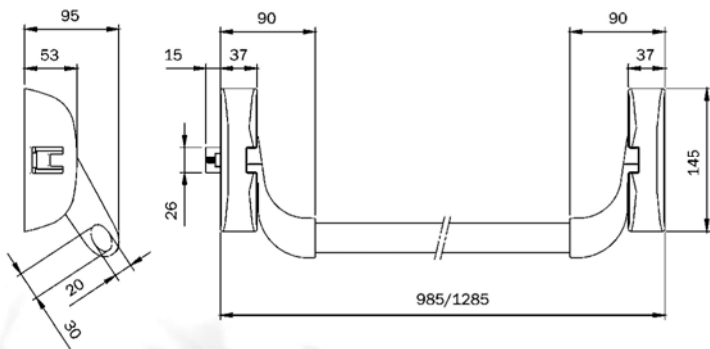


Reversible Panic Latch Emergency Exit Device

Ref: **IS941-4113224**

Finish: **Stainless Steel
PVD Finish**

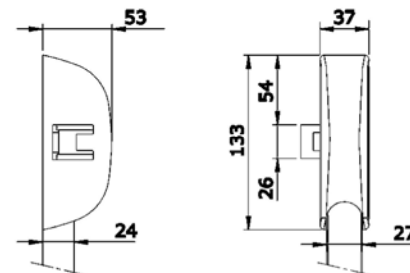
- For use on single doors,
or as active leaf on double rebated door sets
- Bar supplied is 1130mm in width, for
wider doors add INOX bar IS945-932
(up to 1300mm)
- EN-1125:2008



3 Point Lateral Side Latching MODULAR FORMAT

Finish: **Stainless Steel PVD**
Dimensions as Diagram except side
latching top and bottom

- For use on single doors, or as passive
leaf on double rebated door sets.
- Pre-set for manual hold open device
- Pre-set for micro switch
- No exposed moving parts
- EN-1125:2008



MODULAR FORMAT

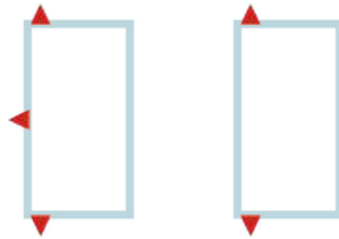
To order this version please use codes below

CODE	DESCRIPTION	QTY
IS941-4113224	INOX Panic Latch kit	x1
IS941-00202	Rods & covers suitable for 2400mm doors	x1
IS941-0203524	Lateral latches - pair	x1
IS941-00112	Side Keep	x2



Belvedere

Patch Fittings for Glass Doors
Page(s) 67-74



LATERAL AND VERTICAL FIXING VERTICAL 2 POINT FIXING

3 Point Vertical Emergency Exit Device MODULAR FORMAT

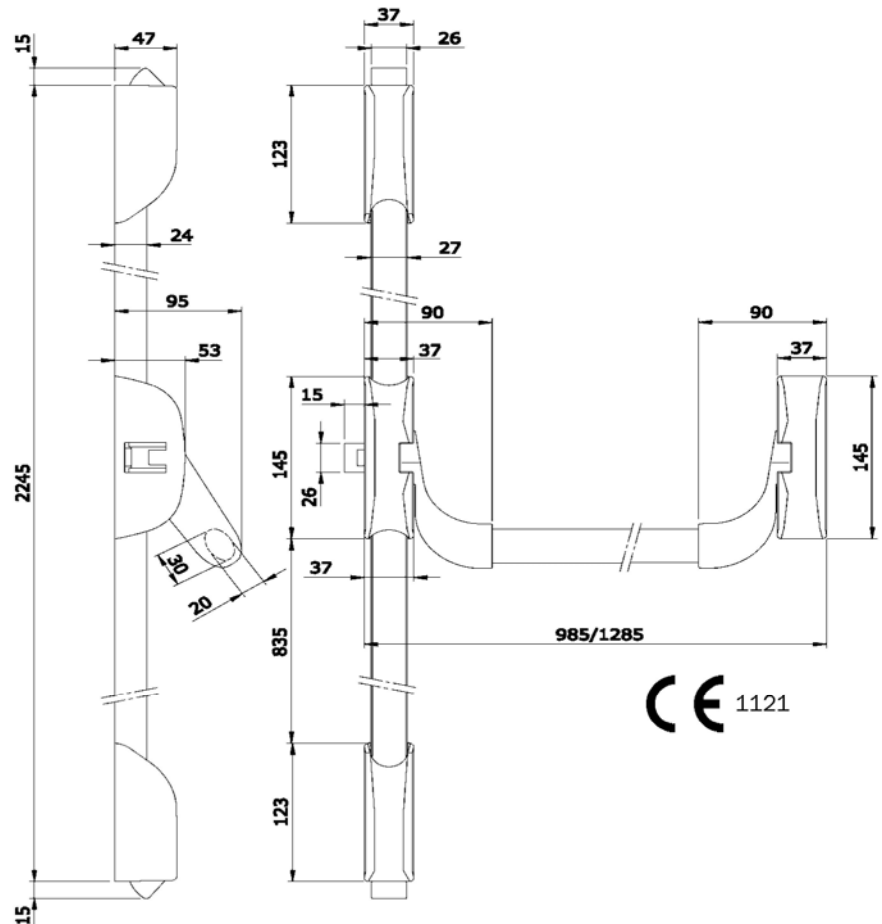
Finish: **Stainless Steel**
PVD Finish

- For use on single doors, or as passive leaf on double rebated door sets
- Suitable for doors up to 2245mm in height, for taller doors add rods and covers set, IS941-00303 (up to 3400mm)
- Can be modified to two point latch
- Pre-set for manual hold open device
- Pre-set for micro switch
- No exposed moving parts
- EN-1125:2008

MODULAR FORMAT

To order this version please use codes below

CODE	DESCRIPTION	QTY
IS941-4113224	INOX Panic Latch kit	x1
IS941-00202	Rods & covers suitable for 2400mm doors	x1
IS941-0201524	Vertical latches - pair	x1
IS941-00112	Side Keep	x1
IS941-00227	Floor Keep	x1





*IPX5 = PROTECTION AGAINST WATER SPRAY

TRIM-TRONIC

ELECTRONIC EXTERNAL CONTROL FOR PANIC EXIT DEVICES
WITH ACCESS CONTROL FUNCTION

FUNCTIONS & TECHNICAL CHARACTERISTICS

- Usable with ISEO mechanical rim lock panic exit bars with 1, 2 and 3 latch points (including at top and/or bottom of door).
- Reversible: may be installed on both right and left handed doors.
- Handle enabled temporarily with an remote electrical control signal (button 1):
 - pulses shorter than 6 seconds in duration enable the handle for 6 seconds;
 - pulses longer than 6 seconds in duration enable the handle for the entire duration of the pulse.
- The handle may also be enabled by inserting, turning and removing the mechanical key.
- An electrical control (button 2) may be used to disable use of the mechanical key until the next time the lock is opened electrically (with button 1).
- As well as supplying the unit with power, the power cable with connector may also be used to transmit and receive remote signals for illuminated signage and for the door aperture and key disable functions.
- Power: 12 V DC, maximum current absorption 2A



Trim-Tronic



ELECTRONIC EXTERNAL
CONTROL FOR PANIC
EXIT DEVICES WITH
ACCESS CONTROL
FUNCTION

Trim-Tronic may replace any ISEO external mechanical control, and is an innovative solution that offers access control functionality from the outside of the door while retaining panic exit functionality on the interior side. The unit may be activated electronically from an internal or external remote control system, such as a push-button panel, digicode panels, badge reader etc., in which case the control only allows access for a preset period of time.

Trim-Tronic may also be used with a key and handle, like a conventional external control, and also features a remote key disable function. If required, a non-removable key function may be configured during installation of the control. The handle of the Trim-Tronic control also includes a vandal protection system.





The **Trim-Tronic** external control has been designed in compliance with the standards EN 1125 and EN 179 to be used in conjunction with all rim lock ISEO panic exit and emergency devices, in all door, lock and latch point configurations, and may be installed easily on any type of door (aluminium, PVC, wood etc.).

INSTALLATION IN OUTDOOR APPLICATIONS

With a **protection rating of IPX5*** (casing offering protection against water spray). The **Trim-Tronic** control is also suitable for outdoor applications.

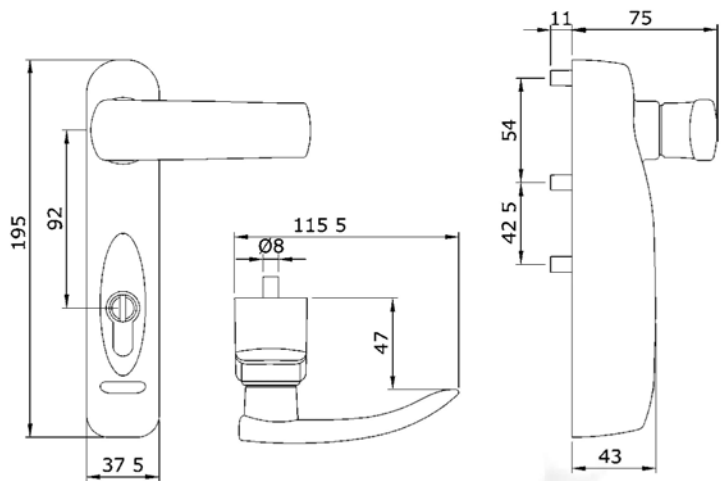
THE STATUS OF THE TRIM-TRONIC CONTROL IS INDICATED AS FOLLOWS:

- **Flashing green LED:** handle temporarily enabled
- **Green LED lit steadily:** handle opened with mechanical key
- **Red LED lit steadily:** handle not enabled

Trim-Tronic

Ref: **IS940-91305E**

Finish: **Black**



*Explanation of IP protection rating:

The IP (International Protection) rating is a convention defined by the standard EN 60529 (adopted and implemented by CEI as the standard CEI 70-1) to identify the degree of protection of the outer casings of electrical and electronic devices (with rated voltages up to 72.5kV) against intrusion by solid objects or liquids.

The prefix IP is followed by two characters.

X5 = Protection against water spray

Water sprays from all directions and produced by nozzles with a diameter of 6.3 mm must not cause any harmful effects.

- Test duration: 1 [min] per square meter, for at least 3 [min]
- Water flow rate: 12.5 [l/min]
- Water pressure: 100 [kPa] at a distance of 3 [m]







TRIM ACCESS DEVICES

FOR PANIC HARDWARE

Features

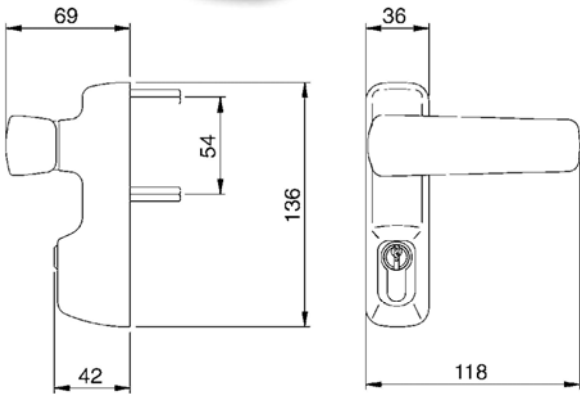
- All compatible with any ISEO Panic Exit Devices featured within this publication
- High durability tested
- Aesthetically designed



Lever Handle With 5 Pin Single Cylinder

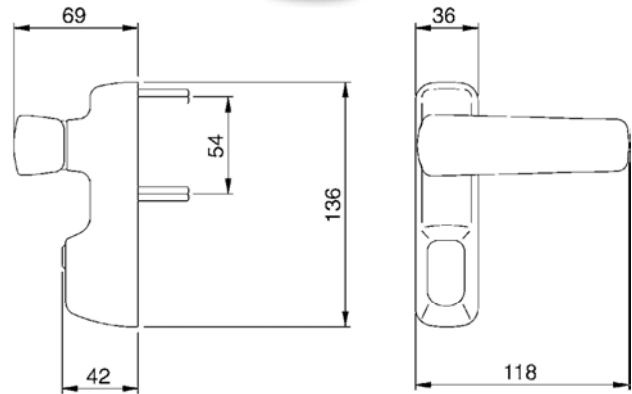
- Ref: **IS940-11007** - GREY
- Ref: **IS940-11005** - BLACK
- Ref: **IS940-11002T** - INOX
- Ref: **IS940-1100RT** - ENDUR4NCE

- Can be used with any 40mm euro single cylinder
- Lever fitted with Anti-Vandalism feature



Lever Handle Without Cylinder

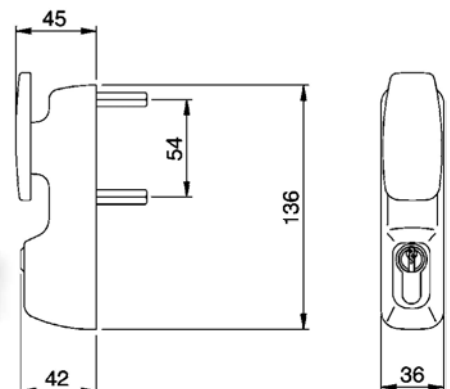
- Ref: **IS940-14007** - GREY
- Ref: **IS940-14005** - BLACK



Vertical Lever Handle With 5 Pin Cylinder

- Ref: **IS940-12007** - GREY
- Ref: **IS940-12005** - BLACK
- Ref: **IS940-12002T** - INOX

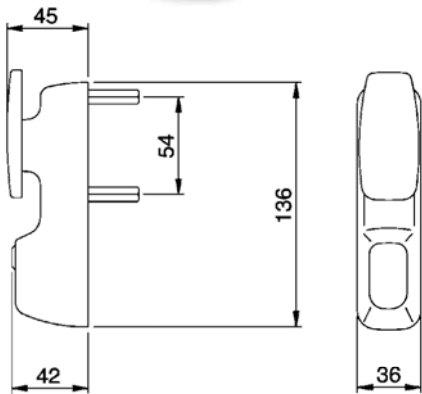
- Can be used with any 40mm euro single cylinder



Vertical Lever Handle Without Cylinder

Ref: **IS940-15007 - GREY**

Ref: **IS940-15005 - BLACK**

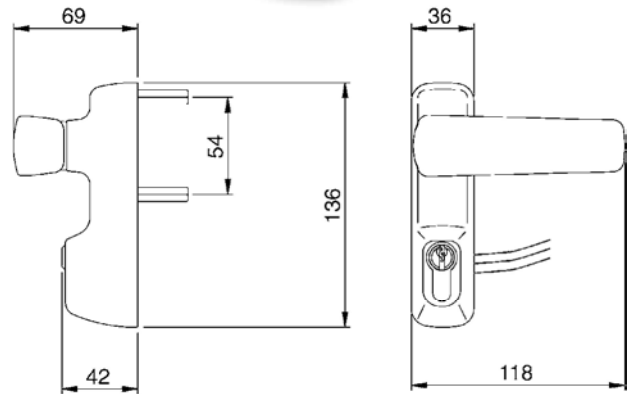


Lever Handle With 5 Pin Cylinder & Micro Switch

Ref: **IS940-11017T - GREY**

Ref: **IS940-11015T - BLACK**

- Can be used with any 40mm euro single cylinder
- Lever fitted with Anti-Vandalism feature
- Lever fitted with Microswitch

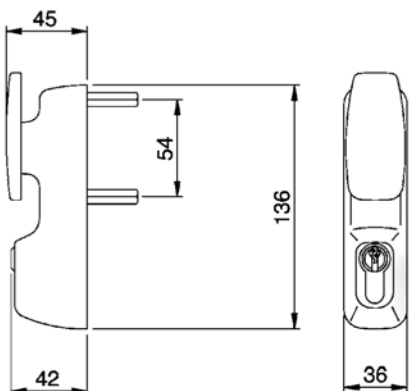


FIXED Knob With 5 Pin Cylinder

Ref: **IS940-13007 - GREY**

Ref: **IS940-13005 - BLACK**

- Can be used with any 40mm euro single cylinder
- Fixed lever design
- Requires key after every action





Escape routes represent a guarantee for people's safety in case of fire or emergency. Yet, they are always critical points for the security of the buildings and the goods they contain. If not adequately monitored, they become the ideal way for intruders to walk in and out. Push Sirena by ISEO offers the solution to these problems.

No need for complex and expensive alarm systems on your door. Push Sirena is installed as a traditional panic exit device but has an acoustic alarm: when it is activated, it immediately detects any unauthorized opening of the escape route door. Therefore, it represents the ideal solution for shops, small warehouses and all places where escape routes need constant monitoring.

Through a selector operated by a key half-cylinder the user can program the functions and choose the device status, namely: ON, OFF and BREAK (courtesy function allowing exit without triggering the alarm). If the bar is pressed and the alarm is ON, the powerful siren emits a strong acoustic signal (90dB). The device LEDs show the current status as well as the battery status.

To order Push Sirena use the following order codes:

Sirena Attachment Grey : IS942-00093

Sirena Attachment Black : IS942-00095

Please note that ISEO Touch Bar is ordered separately

Device Status (Key operated)

- OFF:
the bar can be pressed without triggering the alarm.
- ON:
the alarm, both acoustic and visual, comes into operation when the bar is pressed.
- Break or courtesy function:
a temporary status (5 sec.) within the ON status allowing exit without triggering the alarm.
- Ongoing alarm:
when the alarm is ON and the bar is pressed, the device emits a strong acoustic signal and a red LED flashes.

PUSH SIRENA

ALARMED PERMANENT SECURITY FOR PUBLIC SPACES

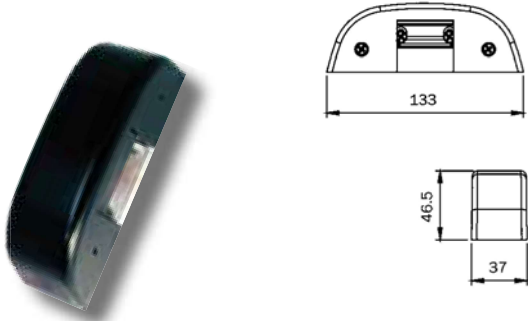
- Courtesy function allowing exit without alarm.
- Alarm reset by key only.
- Acoustic and LED signals showing the device and battery status.
- Powered by 2 AA alkaline batteries (over 2 years of life without alarms).
- 3-level battery charge indicator allowing scheduled replacement.
- Selector compatible with European half-cylinders (size 30+10 with 8-position DIN cam).



PANIC HARDWARE ACCESSORIES

Electric Strike

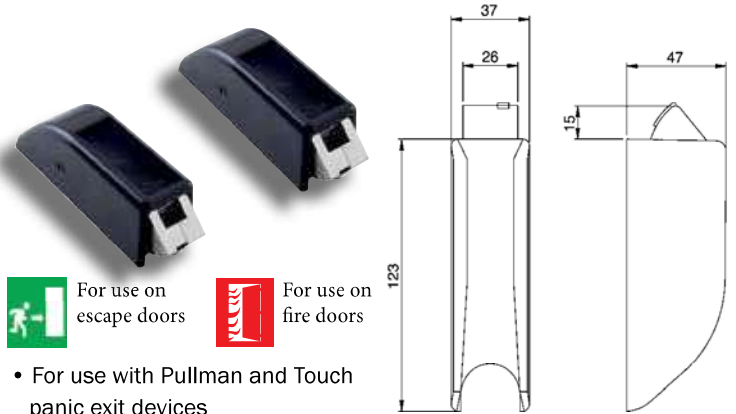
Ref: **IS568-0003 - GREY**
IS568-0000 - BLACK



- Suitable for use with Pullman and Touch panic exit devices
- 12V - 15 Watt (AC)
- For INOX finish add cover plate IS568-0012
- Anti-thrust feature

Pair Of Steel Vertical Latches

Ref: **IS941-0201704 - GREY**
IS941-0201504 - BLACK



For use on escape doors



For use on fire doors

- For use with Pullman and Touch panic exit devices
- Self locking
- Steel latch suitable for fire doors
- Anti-thrust feature

PVD Lateral Latch

Ref: **IS941-0203524 - INOX**
pair

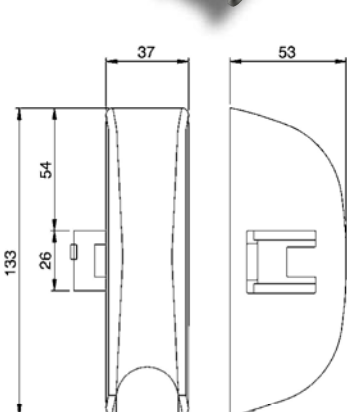
- For ISEO INOX Panic Exit Device
- Self Locking
- Suitable for fire doors
- Anti-thrust feature



For use on escape doors



For use on fire doors



PVD Vertical Latch

Ref: **IS941-0201524 - INOX**
pair

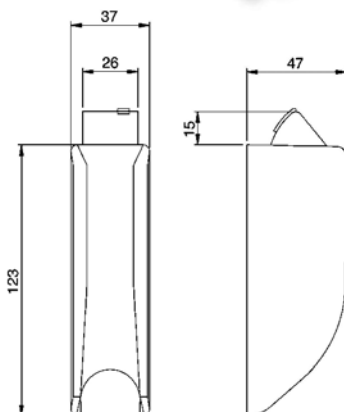
- For ISEO INOX Panic Exit Device
- Self Locking
- Suitable for fire doors
- Anti-thrust feature



For use on escape doors



For use on fire doors



PVD Vertical/ Lateral Latch

Ref: **IS941-0204524 - INOX**
pair

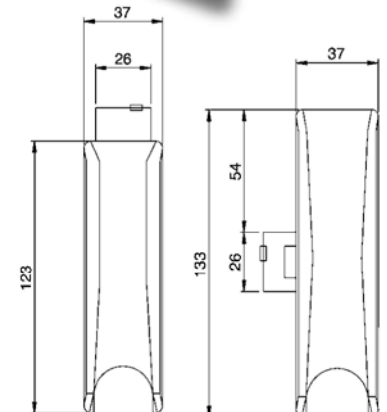
- For ISEO INOX Panic Exit Device
- Self Locking
- Suitable for fire doors
- Anti-thrust feature



For use on escape doors



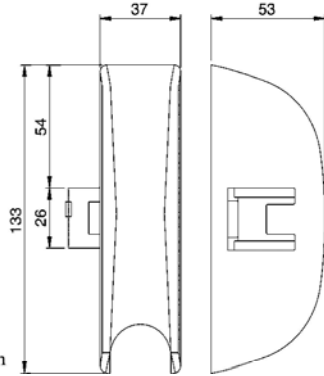
For use on fire doors



PANIC HARDWARE ACCESSORIES

Pair of Lateral Latches

Ref: **IS941-0203704 - GREY**
IS941-0203504 - BLACK



For use on escape doors

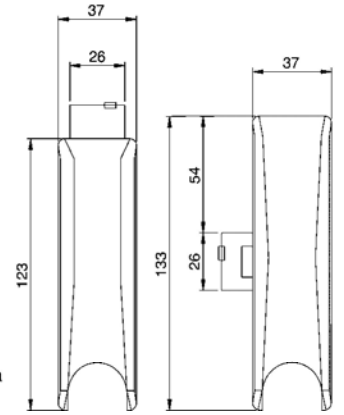


For use on fire doors

- Suitable for use with Pullman and Touch panic exit devices
- Self locking
- Steel latch suitable for fire doors
- Anti-thrust feature

Pair of Vertical & Lateral Mix Latches

Ref: **IS941-0204704 - GREY**
IS941-0204504 - BLACK



For use on escape doors



For use on fire doors

- Suitable for use with Pullman & Touch panic exit devices
- Self locking
- Steel latch suitable for fire doors
- Anti-thrust feature

Replacement Central Mechanisms

Ref: **IS941-4000704 - GREY**



For use on escape doors



For use on fire doors



- Use ONLY with Pullman panic exit devices
- Use with all variations of latching points
- Steel latch suitable for fire doors
- NOT Suitable for use with UK panic hardware rods & bolts
- Anti-thrust feature

INOX Replacement Central Mechanisms

Ref: **IS941-4000524 - INOX**



For use on escape doors



For use on fire doors



- Use with INOX panic exit devices
- Use with all variations of latching points
- Steel latch suitable for fire doors
- NOT Suitable for use with UK panic hardware rods & bolts
- Anti-thrust feature

1300mm Long Touch Bar Unit

Ref: **IS942-413058T Finish: Black/Red**



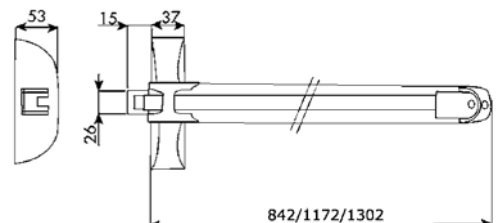
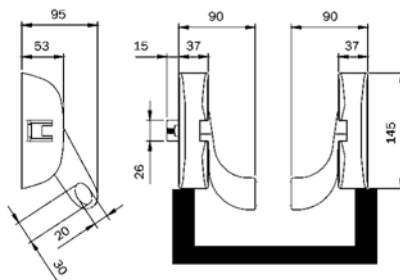
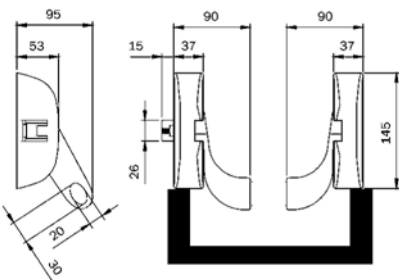
For use on escape doors



For use on fire doors



- Single panic latch
- Can be either vertical, lateral or vertical lateral mix by adding relevant component parts of rods, covers & latches (accessories section)
- For use on doors up to 1300mm in width
- Anti-thrust feature



PANIC HARDWARE ACCESSORIES

Micro-switch

Ref: **IS941-00060**



- Mechanisms for UK, Pullman and INOX, are pre-set for this microswitch
- Used to detect door opening
- Can be used with security system

Micro-switch For Touch Devices

Ref: **IS942-00060**



- Mechanisms for Touch panic are bar pre-set for this microswitch
- Used to detect door opening
- Can be used with security system

Thermo-expanding Gasket Kit

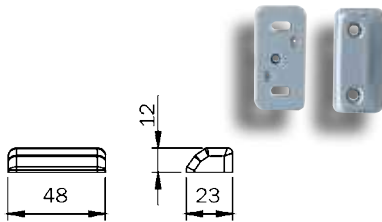
Ref: **IS940-00030**



- Suitable for use with UK, Pullman, Touch & INOX devices
- For use with smoke doors

Side Striker

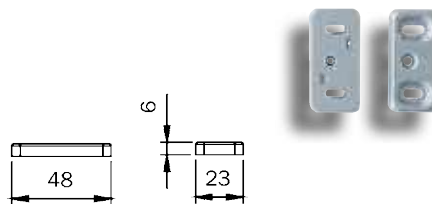
Ref:
IS941-00112 - INOX
IS941-00110 - BLACK
IS941-00117 - GREY



- Suitable for use with UK, Pullman, Touch & INOX panic exit devices
- For lateral latch, single or double

Lateral Striker For Double Doors

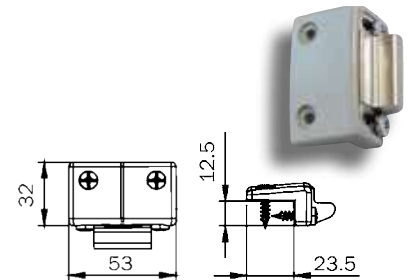
Ref:
IS941-00102 - INOX
IS941-00100 - BLACK
IS941-00107 - GREY



- Suitable for use with UK, Pullman, Touch & INOX panic exit devices

Lateral Keep For PVCu Doors

Ref:
IS941-00152 - INOX
IS941-00150 - BLACK
IS941-00157 - GREY



- Use in bracket of UK, Pullman & INOX panic exit devices
- For use with profiles with an overlap of 14 to 24mm

UK Range 3400mm Rods & Covers

Ref:
IS943-00307 - GREY



2400mm Rods & Covers

Ref:
IS941-00202 - INOX
IS941-00205 - BLACK
IS941-00207 - GREY



3400mm Rods & Covers

Ref:
IS941-00302 - INOX
IS941-00305 - BLACK
IS941-00307 - GREY



PANIC HARDWARE ACCESSORIES

Hold Open Device

Ref: **IS941-00070**



- Use in bracket of UK, Pullman & INOX panic exit devices
- Mechanically holds panic exit device in 'open' mode

Fixing Plate For Central Mechanism

Ref: **IS941-00040**



- Suitable for use with UK, Pullman, Touch & INOX panic exit devices
- For use with steel doors

Fixing Plate For Top & Bottom Latches or Bolts

Ref: **IS941-00050**

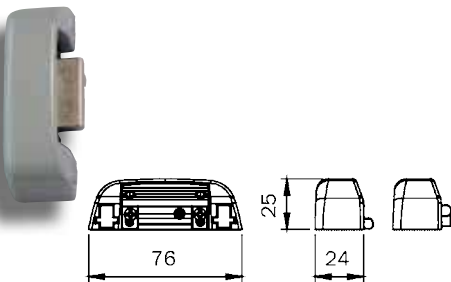


- Use with UK, Pullman, Touch & INOX panic exit devices

Adjustable Keep

Ref:

IS941-00132 - INOX
IS941-00130 - BLACK
IS941-00137 - GREY

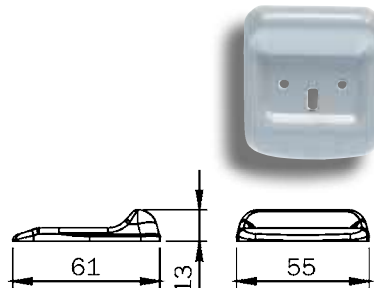


- Suitable for use in bracket of UK, Pullman & INOX panic exit devices
- Use with profiles with an overlap up to 11mm

Floor Keep

Ref:

IS941-00127 - INOX
IS941-00120 - BLACK
IS941-00227 - GREY

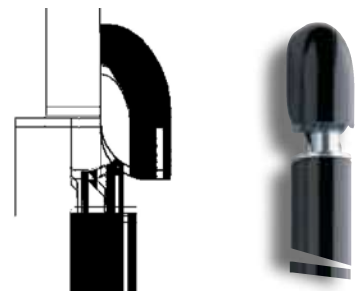


- Suitable for use with Pullman & Touch panic exit devices

IDEA UK Top Keep (for PVCu doors)

Ref:

IS943-00167 - GREY



- Suitable for UK panic exit devices only

Blanking Plates for Latch Piece

Ref:

IS941-00705 - BLACK
IS941-00707 - GREY



- Suitable for use with all Ranges

Blanking Plates for Rods

Ref:

IS-KW50395C



- Suitable for use with Touch Range only

Long Central Bar

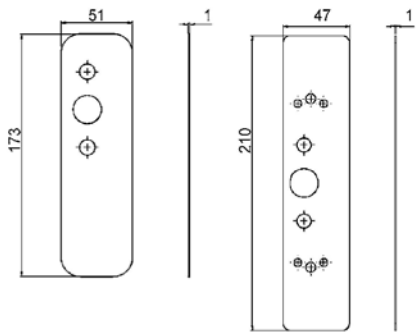
IS945-932 - INOX - 1130mm

IS945-927 - GREY - 1130mm

IS945-928 - RED - 1130mm

IS945-929 - GREEN - 1300mm

- Suitable for use with: UK, Pullman & INOX panic exit devices



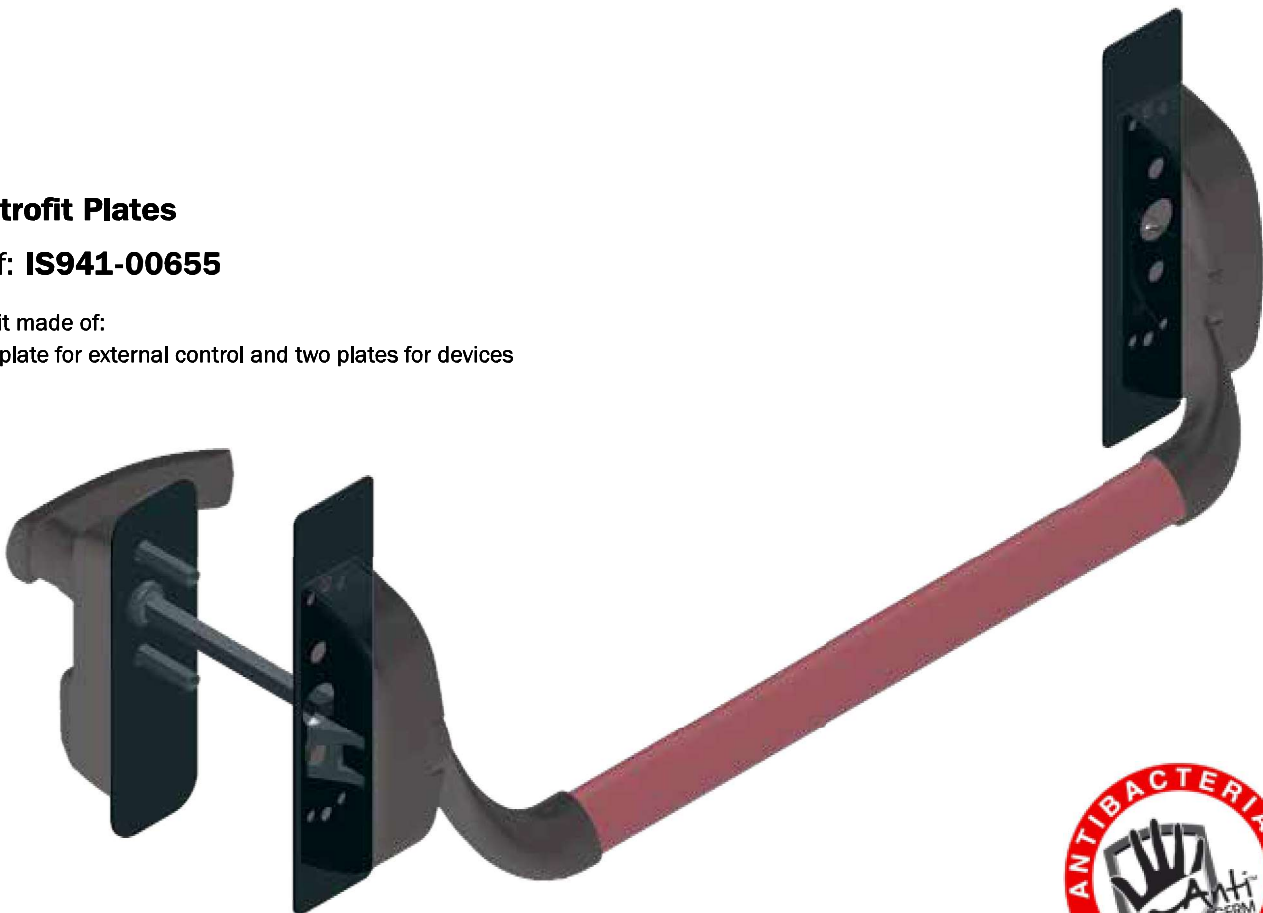
RETROFIT PLATES

FOR THE REPLACEMENT OF PANIC EXIT DEVICES NOT MANUFACTURED BY ISEO

Retrofit Plates

Ref: **IS941-00655**

- Kit made of:
a plate for external control and two plates for devices





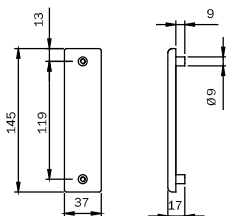
Belvedere

ASSEMBLY KIT FOR GLASS DOORS

Fittings for:

- ISEO Bolt
- Pullman and Touch
- Panic Exit Devices

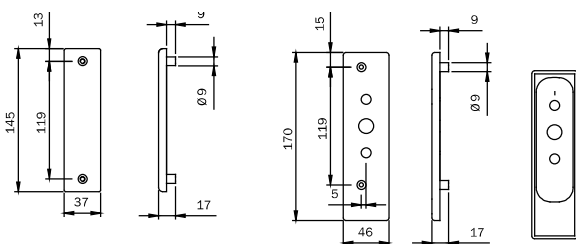
Belvedere



Assembly kit for glass doors thickness max 12 mm. **FOR CENTRAL LOCK ASSEMBLY TYPE - PULLMAN | BOLT WITHOUT EXTERNAL CONTROL.** Reversible. PVD finish cover plates, gaskets, fixing screws. Instructions.

IS941-00506

External right-hand



Assembly kit for glass thickness max 12 mm. **FOR CENTRAL LOCK ASSEMBLY TYPE - PULLMAN | BOLT CAN BE USED WITH EXTERNAL CONTROL FOR DOOR OPENING.**

PVD finish cover plates, gaskets, fixing screws. Instructions.

Can be used in conjunction with:

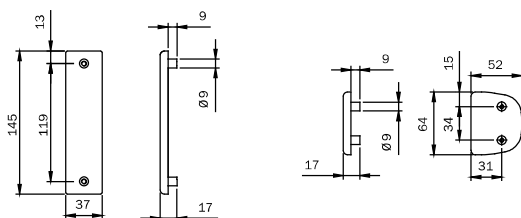
EXTERNAL RIGHT-HAND

IS941-00516

EXTERNAL LEFT-HAND

IS941-00526

External left-hand



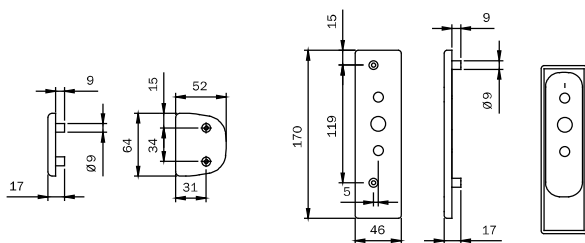
Assembly kit for glass thickness max 12 mm. **FOR CENTRAL LOCK ASSEMBLY TYPE TOUCH BAR**

WITHOUT EXTERNAL CONTROL. REVERSIBLE. PVD finish cover plates, gaskets, fixing screws. Instructions.

IS941-00536

Belvedere

External right-hand



Assembly kit for glass thickness max 12 mm. **FOR CENTRAL LOCK ASSEMBLY TYPE TOUCH BAR**
CAN BE USED WITH EXTERNAL CONTROL FOR DOOR OPENING. PVD finish cover plates,
gaskets, fixing screws. Instructions.

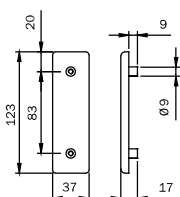
EXTERNAL RIGHT-HAND

IS941-00546

EXTERNAL LEFT-HAND

IS941-00556

External left-hand

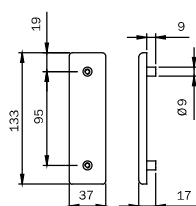


Assembly kit for glass thickness max 12 mm. **FOR PAIR OF VERTICAL LATCHES PULLMAN|TOUCH**
PVD finish cover plates, gaskets, fixing screws. Instructions.

Can be used in conjunction with:

Pair of vertical latches 94102015*

IS941-00566



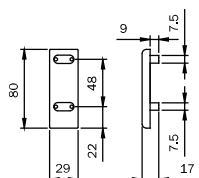
Assembly kit for glass thickness max 12 mm. **FOR PAIR OF LATERAL LATCHES PULLMAN|TOUCH**
PVD finish cover plates, gaskets, fixing screws. Instructions.

Can be used in conjunction with:

Pair of lateral latches 94102035*

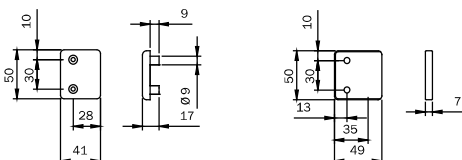
IS941-00576

Belvedere



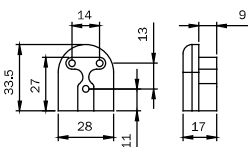
Assembly kit for glass thickness max 12 mm. **FOR PAIR OF VERTICAL RODS "Bolt"**.
PVD finish cover plates, gaskets, fixing screws. Instructions.

IS941-00586



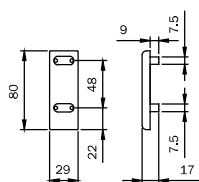
Assembly kit for glass thickness max 12 mm. **FOR LATERAL KEEP AND TOP VERTICAL KEEP**.
PVD finish cover plates, gaskets, fixing screws. Instructions.

IS941-00596



Assembly kit for glass thickness max 12 mm. **FOR ADJUSTABLE TOP KEEP
FOR PANIC EXIT DEVICES "Bolt"**. PVD finish cover plates, gaskets, fixing screws. Instructions.

IS941-00606

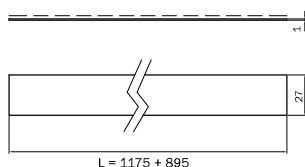


Assembly kit for glass thickness max 12 mm. **FOR RODS COVER EXTENSION**.
PVD finish cover plates, gaskets, fixing screws. Templates. Instructions.

Can be used in conjunction with:

All rod and cover kits for door with maximum height of 3400 mm

IS941-00636



Kit of rod covering profiles
for assembly on glass doors

IS941-00616

ISEO Pullman Application scheme for single leaf glass doors

		WITH LATCHES										WITH BOLT				
		▲	▲	▲	▲	▲	▲	▲	▲	▲	▲	▲	▲	▲	▲	▲
IS941-00566				●	●	●	●	●								
IS941-00576									●	●	●	●				
IS941-00586													●	●	●	●
IS941-00596		●		●		●	●		●	●		●	●			●
IS941-00606													●		●	●
IS941-00616				●	●	●	●	●	●	●	●	●	●	●	●	●

- = Necessary items (● ● = 2 pcs, ● ● ● = 3 pcs)
- ▲ = Choose 1 kit according to the external control and the "hand" of door
- = Choose 2 kits according to the external control and the "hand" of door

ISEO Pullman Application scheme for double glass doors

	WITH LATCHES						WITH BOLT	
IS941-00506 IS941-00516 IS941-00526	■	■	■	■	■	■	■	■
IS941-00566	●	●	●	●	●	●		
IS941-00576			●	●	●	●		
IS941-00586							●	●
IS941-00596	●	● ●	● ● ●	● ● ●	● ●	● ● ●	●	●
IS941-00606								●
IS941-00616	●	●	● ●	● ●	● ●	● ●	●	●

- = Necessary items (● ● = 2 pcs, ● ● ● = 3 pcs)
- ▲ = Choose 1 kit according to the external control and the "hand" of door
- = Choose 2 kits according to the external control and the "hand" of door

ISEO Touch Application scheme for single leaf glass doors

	WITH LATCHES										WITH BOLT				
IS941-00536															
IS941-00546	▲	▲	▲	▲	▲	▲	▲	▲	▲	▲	▲	▲	▲	▲	
IS941-00556															
IS941-00566			●	●	●	●	●								
IS941-00576								●	●	●	●				
IS941-00586												●	●	●	
IS941-00596		●		●		●	●		●	●		●	●	●	
IS941-00606												●		●	
IS941-00616			●	●	●	●	●	●	●	●	●	●	●	●	

- = Necessary items (● ● = 2 pcs, ● ● ● = 3 pcs)
- ▲ = Choose 1 kit according to the external control and the "hand" of door
- = Choose 2 kits according to the external control and the "hand" of door

ISEO Touch Application scheme for double glass doors

	WITH LATCHES						WITH BOLT	
IS941-00536								
IS941-00546	■	■	■	■	■	■	■	■
IS941-00556								
IS941-00566	●	●	●	●	●	●		
IS941-00576			●	●	●	●		
IS941-00586							●	●
IS941-00596	●	● ●	● ● ●	● ● ● ●	● ●	● ● ●	●	●
IS941-00606								●
IS941-00616	●	●	● ●	● ●	● ●	● ●	●	●

- = Necessary items (● ● = 2 pcs, ● ● ● = 3 pcs)
- ▲ = Choose 1 kit according to the external control and the "hand" of door
- = Choose 2 kits according to the external control and the "hand" of door

ISEO® Zero1

ELECTRONIC SOLUTIONS

A new range of electronic products by ISEO Group which totally changes the way to manage security and access control systems



Libra SMART
Electronic Knob Cylinder



Aries SMART
Electronic Trim Set



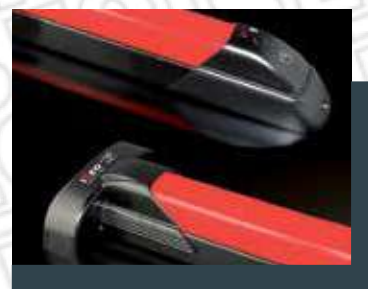
F9000 Electromechanical
Profile cylinder



Stylos SMART
Credential Reader



Thesis 2.0
High Security Solenoid Bolt



Push Sirena Panic Exit
Device with Acoustic Alarm



X1R SMART
Electromechanical Lock for
Armoured Doors



Multiblindo
Motion EXIT
Electronic Multipoint Lock



Trim Tronic
Electronic Access Device

presented by



m.marcus
est. 1940

M. Marcus Limited

Unit 7, Narrowboat Way, Dudley,
West Midlands, DY2 0XQ, England

Tel: 01384 457900

Fax: 01384 253687

Web: www.m-marcus.com

Email: iseosales@m-marcus.com